

Features.

- ◆ Very low frequency band.
- ◆ Extremely robust.
- ◆ Powered through feed-thru or connector.
- ◆ Various connectorizations.
- ◆ Custom solutions.
- ◆ Hermeticity up to IP67 (IEC-60529)

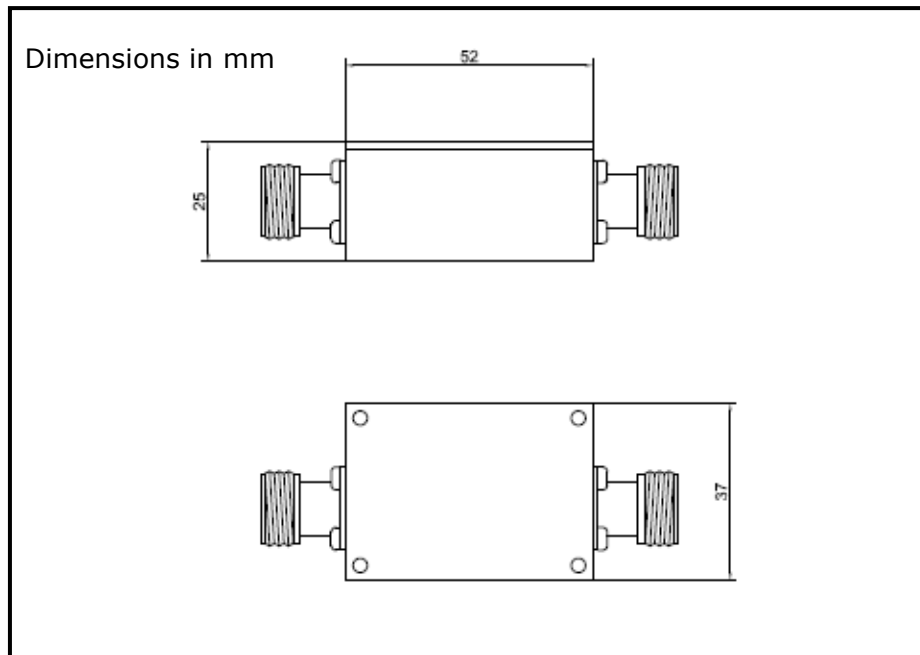


Description.

Line of low noise amplifiers, designed for intensive use in low frequency communication systems, where reliable and robust behavior is required.

It allows remote power through feed-thru or same coaxial cable where the RF signal is delivering.

Custom solutions in frequency, gain, package, etc.



Specifications model IF-AMP-1-50/SMA

PARAMETER	VALUE	UNIT
Operating frequency	1-50	MHz
Gain	16+/- 1	db
VSWR	1.5/1	
Output power 1 db comp	+15 min	dbm
Noise figure	2.9 max	db
IP3	33 min	dbm
Power supply	24/130	VDC/mA
Dimensions	52x37x25	mm
Connectors	SMA	
Hermeticity level	IP66	

