

## Features.

- ◆ Very low frequency band.
- ◆ Extremely robust.
- ◆ Powered through connector.
- ◆ Various connectorizations.
- ◆ Custom solutions.
- ◆ Hermeticity up to IP67 (IEC-60529)

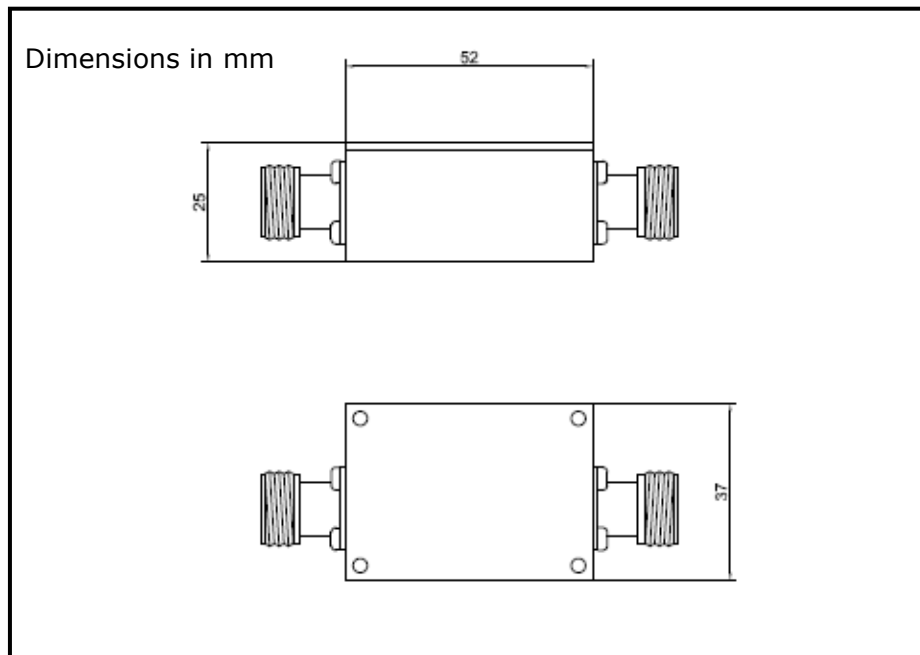


## Description.

Line of low noise amplifiers, designed for intensive use in low frequency communication systems, where reliable and robust behavior is required.

It allows remote power through the same coaxial cable where the RF signal is delivering.

Custom solutions in frequency, gain, package, etc.



## Specifications model IF-AMP-1-50/N

PARAMETER	VALUE	UNIT
Operating frequency	1-50	MHz
Gain	16+/- 1	db
VSWR	1.5/1	
Output power 1 db comp	+15 min	dbm
Noise figure	2.9 max	db
IP3	33 min	dbm
Power supply	24/110	VDC/mA
Dimensions	52x37x25	mm
Connectors	N	
Hermeticity level	IP66	

