

Features

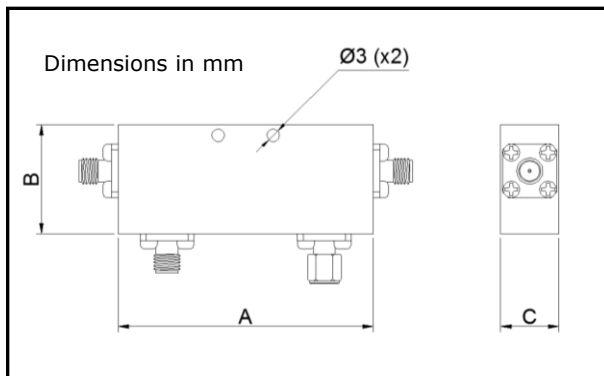
- ◆ Octave & multi octave band.
- ◆ Low insertion loss.
- ◆ Medium power.
- ◆ High directivity.
- ◆ Robust and reliable.
- ◆ Operating temperature -45/+85°C.
- ◆ Optional IP67-IEC.



Description

Models developed to cover all frequency bands until 18 GHz, working such as a directional coupler or a bidirectional coupler to sample incident and reflected power.

Manufactured with multi section technology, guarantees a reliable and robust behavior in any operating conditions.



PACKAGE	DIMENSIONS		
	A	B	C
A11	60	26	13.7
A12	25.4	10.5	10
A16	133	15	12

Specifications

Model	Frequency range (GHz)	Nominal coupling (+/-0.6 dB)	Directivity (dB min)	VSWR (max)	Insertion loss (dB max)	Incident power (W max)	Package
IF-A1006/S	2-4	6	20	1.25/1	0.3	50	A11
IF-A1010/S	2-4	10	20	1.25/1	0.3	50	A11
IF-A1020/S	2-4	20	20	1.25/1	0.3	50	A11
IF-A1030/S	2-4	30	20	1.25/1	0.3	50	A11
IF-A2006/S	4-8	6	17	1.35/1	0.35	50	A12
IF-A2010/S	4-8	10	17	1.35/1	0.35	50	A12
IF-A2020/S	4-8	20	17	1.35/1	0.35	50	A12
IF-A2030/S	4-8	30	17	1.35/1	0.35	50	A12
IF-A3006/S	6-11	6	18	1.35/1	0.3	50	A12
IF-A3010/S	6-11	10	18	1.35/1	0.3	50	A12
IF-A3020/S	6-11	20	18	1.35/1	0.3	50	A12
IF-A3030/S	6-11	30	18	1.35/1	0.3	50	A12
IF-A4006/S	7-12.4	6	16	1.35/1	0.4	50	A12
IF-A4010/S	7-12.4	10	16	1.35/1	0.4	50	A12
IF-A4020/S	7-12.4	20	16	1.35/1	0.4	50	A12
IF-A4030/S	7-12.4	30	16	1.35/1	0.4	50	A12
IF-A5006/S	12.4-18	6	11	1.5/1	0.7	50	A16
IF-A5010/S	12.4-18	10	11	1.5/1	0.7	50	A16
IF-A5020/S	12.4-18	20	11	1.5/1	0.7	50	A16
IF-A5030/S	12.4-18	30	11	1.5/1	0.7	50	A16

