

## Features.

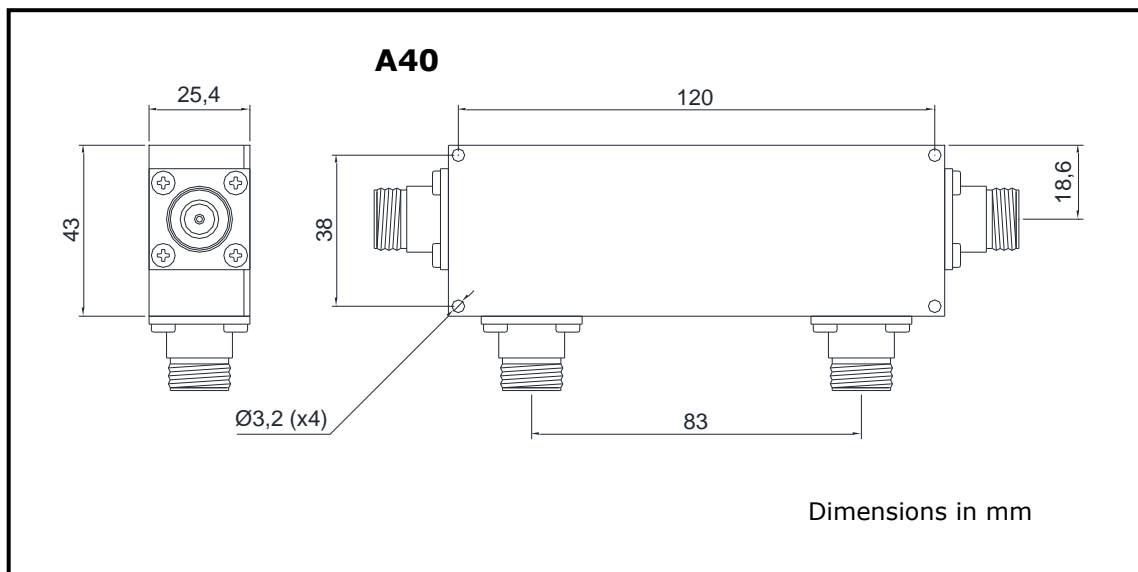
- ◆ High Power.
- ◆ Low insertion loss.
- ◆ High directivity.
- ◆ Robust and reliable.
- ◆ Environmental IP66 - IEC.
- ◆ Operating temperature -45/+85°C



## Description

Manufactured with high reliable technology able to support large power, covering several operating bands.

This series of bidirectional couplers can be used to measure both incident and reflected power in communication facilities, test equipment, test bench, etc.



## Specifications.

| Model     | Operating frequency (MHz) | Insertion loss (dB max) | Directivity (dB tip) | Coupling (dB) (*) | VSWR (max) | Power (W max) | Package |
|-----------|---------------------------|-------------------------|----------------------|-------------------|------------|---------------|---------|
| IF-A710/N | 380-600                   | 0.35                    | 22                   | 10                | 1.25/1     | 100           | A40     |
| IF-A720/N | 380-600                   | 0.35                    | 22                   | 20                | 1.25/1     | 350           | A40     |
| IF-A730/N | 380-600                   | 0.35                    | 22                   | 30                | 1.25/1     | 500           | A40     |
| IF-A735/N | 380-600                   | 0.35                    | 22                   | 35                | 1.25/1     | 600           | A40     |
| IF-A740/N | 380-600                   | 0.35                    | 22                   | 40                | 1.25/1     | 600           | A40     |

(\*): +/-0.75 db

