

Features

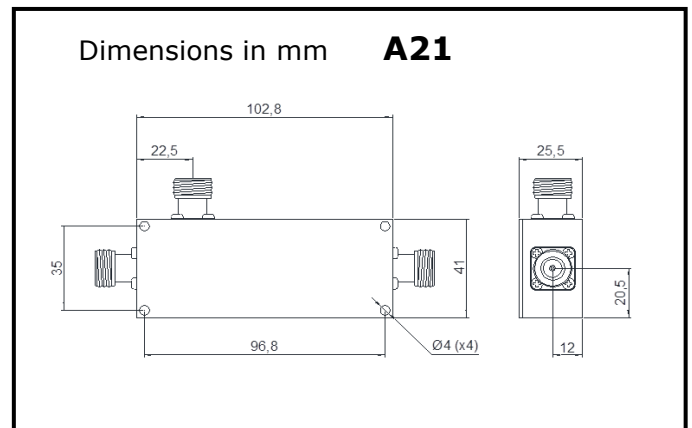
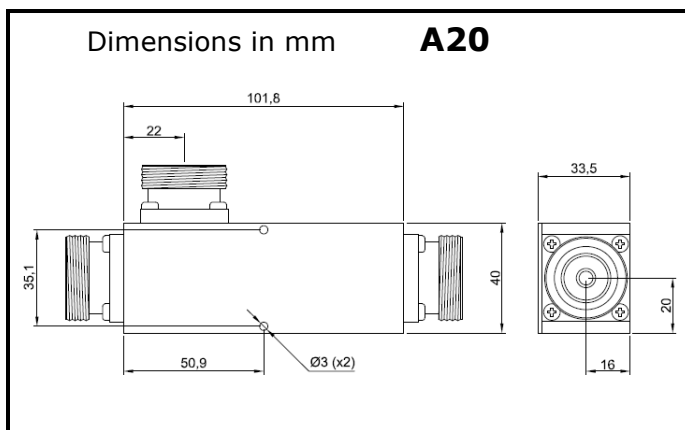
- ◇ Operates in all telephony bands up to 4G.
- ◇ Low insertion loss.
- ◇ High power.
- ◇ High directivity.
- ◇ Robust and reliable.
- ◇ IP66-IEC.
- ◇ Operating temperature -45/+85°C.
- ◇ Connectors N, 7/16, SMA or TNC.



Description

The new line of directional couplers. high power has been developed for intensive use in any facilities of communication bands and global telephony market up to LTE.

Manufactured with multi section technology, guarantees a reliable and robust behavior in any operating condition.



Specifications

Model	Frequency range (MHz)	Insertion loss (dB max)	Directivity (dB typ)	Coupling (dB) (**)	VSWR (max)	Power (W max)	Package
IF-A0706/X	698-2700	0.6	20	6	1.25/1	100	A20-A21
IF-A0710/X	698-2700	0.6	20	10	1.25/1	100	A20-A21
IF-A0713/X	698-2700	0.6	20	13	1.25/1	100	A20-A21
IF-A0720/X	698-2700	0.6	20	20	1.25/1	150	A20-A21

X: N for N(f) connectors, 7 for 7/16(f) connectors.
(**): ± 1.6 dB.