

## Features

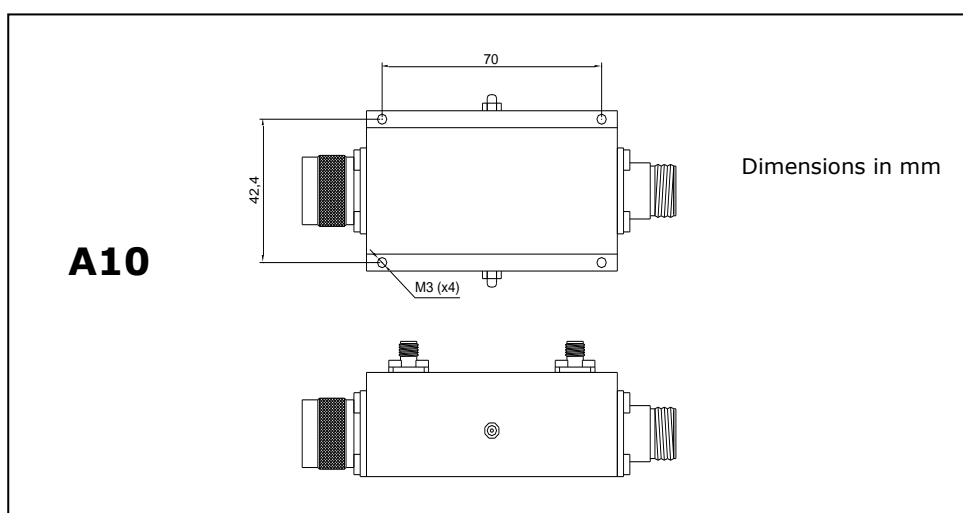
- ◇ Radar, Telephony, Satcom, Instrumentation.
- ◇ Continuously adjustable coupling.
- ◇ High directivity.
- ◇ Low insertion loss.
- ◇ High reliability.
- ◇ High power.
- ◇ Robust.
- ◇ Operating temperature -45/+85 °C.



## Description

The technological concept of this component allows for any value coupling with simple adjustment keeping the rest of specifications.

Custom design on frequency, power, package and electrical specifications.



## Specifications

Model	Frequency range (MHz)	Variable Coupling (dB)**	Directivity (dB min)	VSWR (max)	Insertion loss (dB max)*	Incident power (W max)	Package
IF-A030A/V-SP	1215-1400	10-25	25	1.20/1	0.08	350	A10
IF-A031A/V-SP	1215-1400	25-40	25	1.20/1	0.08	600	A10
IF-A030A/V-T	800-2200	10-25	20	1.25/1	0.1	350	A10
IF-A031A/V-T	800-2200	25-40	20	1.25/1	0.1	600	A10

(\*): Excluding coupling loss.

(\*\*): +/-0.6db models /V-SP and +/-1.75db models /V-T

