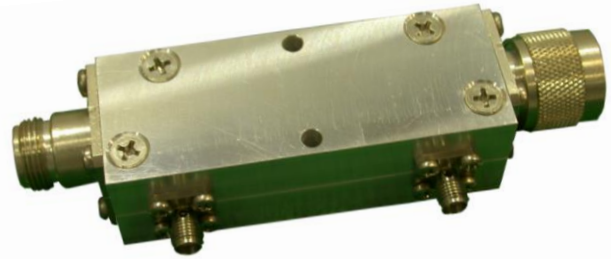


Features

- ◆ Radar, Cellular bands, Instrumentation.
- ◆ High directivity.
- ◆ Low insertion loss.
- ◆ High reliability.
- ◆ Operating temperature -45/+85 °C.
- ◆ High power.
- ◆ Up to 4 Kw pick.
- ◆ Robust

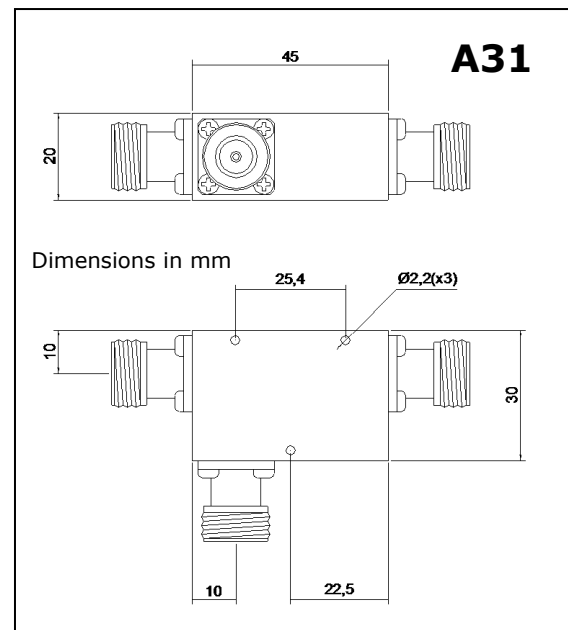
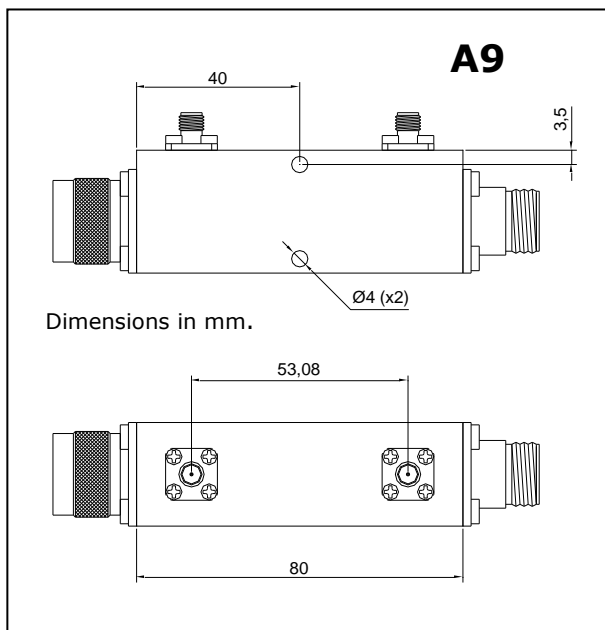


Description

Models manufactured with air dielectric technologies that allow low insertion loss, high input power and high directivity.

Robust and reliable mechanical design, allowing use in any environment up to IP67.

Custom design requirement on frequency, power, package and electrical specifications are welcome.



Specifications

Model	Frequency range (MHz)	Coupling (dB) (**)	Directivity (dB min)	VSWR (max)	Insertion loss (dB max)*	Incident power (W max)	Package
IF-A03A10	800-2200	10	22	1.25/1	0.10	350	A9
IF-A03A20	800-2200	20	22	1.25/1	0.10	600	A9
IF-A03A30	800-2200	30	22	1.25/1	0.10	600	A9
IF-A03A40	800-2200	40	22	1.25/1	0.10	600	A9
IF-A0810/N	1000-1100	10	21	1.2/1	0.25	150	A31
IF-A0820/N	1000-1100	20	21	1.2/1	0.25	200	A31
IF-A0830/N	1000-1100	30	21	1.2/1	0.25	300	A31
IF-A0840/N	1000-1100	40	21	1.2/1	0.25	400	A31

(*): Excludes coupling loss.

(**): For model IF-A03Axx coupling +/- 1.75 db. For model IF-A08xx coupling +/- 0.5db