

Features

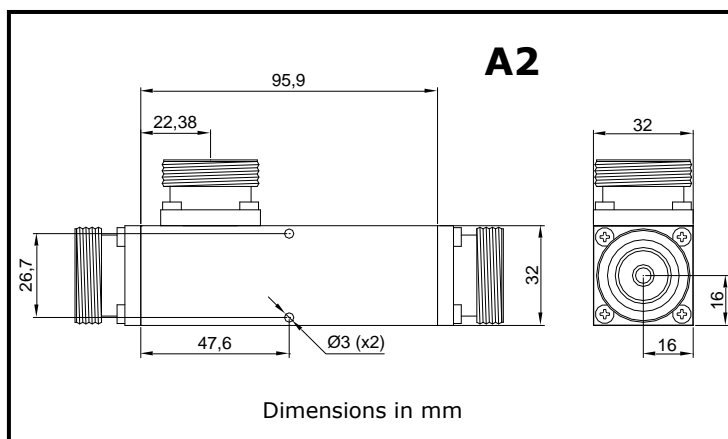
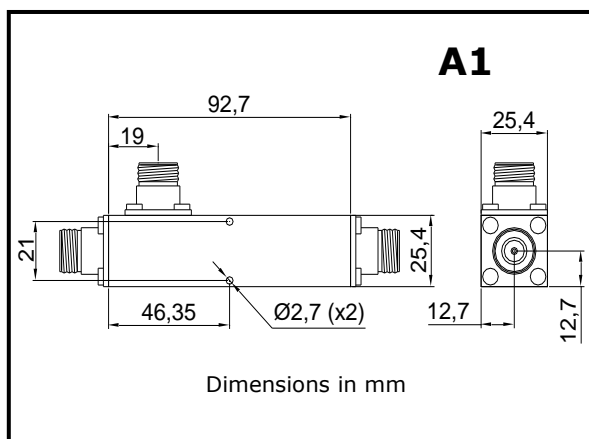
- ◆ High directivity.
- ◆ Low insertion loss.
- ◆ High reliability.
- ◆ Low cost.
- ◆ Connectors N, TNC & SMA.
- ◆ Operating temperature $-45/+85$ °C.
- ◆ Optional IP67-IEC.



Description

Models manufactured with high reliability technologies. Multi-section structures to cover several bands in a single component.

Custom requirement on frequency, power, package and electrical specifications are welcome.



Specifications

Model	Frequency range (MHz)	Nominal Coupling (**)	Directivity (dB)	VSWR max	Insertion loss (dB) (*)	Incident power (W)	Package
IF-A0306	880-2170	6	20	1.22/1	0.4	50	A1
IF-A0310	880-2170	10	20	1.22/1	0.4	50	A1
IF-A0320	880-2170	20	20	1.22/1	0.4	80	A1
IF-A0330	880-2170	30	20	1.22/1	0.4	100	A1
IF-A0340	880-2170	40	20	1.25/1	0.5	150	A1
IF-A0306/7	880-2170	6	20	1.22/1	0.4	50	A2
IF-A0310/7	880-2170	10	20	1.22/1	0.4	50	A2
IF-A0320/7	880-2170	20	20	1.22/1	0.4	80	A2
IF-A0330/7	880-2170	30	20	1.22/1	0.4	100	A2
IF-A0340/7	880-2170	40	20	1.25/1	0.5	150	A2
IF-A031/6	1215-1400	6	25	1.20/1	0.18	50	A1
IF-A031/10	1215-1400	10	25	1.20/1	0.18	50	A1
IF-A031/20	1215-1400	20	25	1.20/1	0.18	80	A1
IF-A031/30	1215-1400	30	25	1.20/1	0.18	100	A1
IF-A031/40	1215-1400	40	25	1.20/1	0.18	150	A1

(*): Excluding coupling loss.

(**): IF-A0306; IF-A0310 ± 1.4 dB. $C > 10$ dB. nominal coupling ± 1.6 dB.

IF-A0306/7; IF-A0310/7 ± 1.4 dB. Para $C > 10$ dB. nominal coupling ± 1.6 dB.

