

Features

- ◆ Operates at radar and cellular bands.
- ◆ High directivity.
- ◆ Low insertion loss.
- ◆ High reliability.
- ◆ Low cost.
- ◆ Connectors N, TNC & SMA.
- ◆ Temperature range -45/+85 °C.

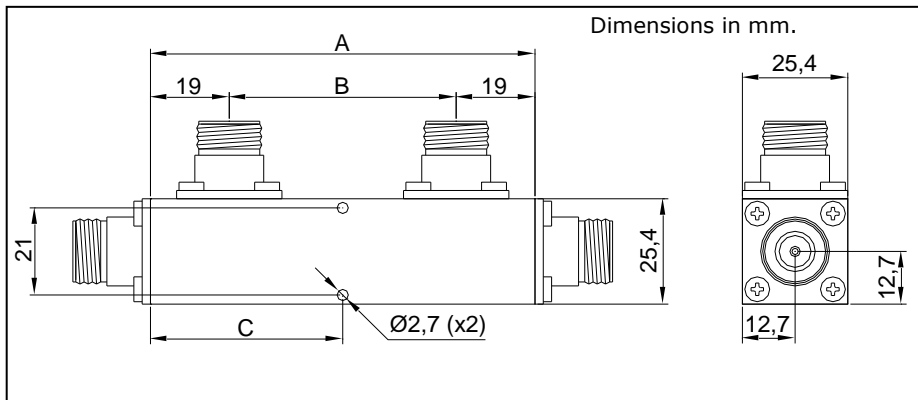


Description

Models manufactured with high reliability technologies. Multi-section structures to cover several bands in a single component.

Dual coupler to allowing the sampling of incident and reflected power. Solutions up to 500W cw and 5 KW peak power.

Custom requirement on frequency, power, package and electrical specifications are welcome.



PACKAGE	DIMENSIONS		
	A	B	C
A3	85	47	42.5
A4	68	30	34

Specifications

Model	Frequency range (MHz)	Nominal coupling (**)	Directivity (dB min)	VSWR (max)	Insertion loss (dB max)*	Incident power (W max)	Package
IF-A0106	800-980	6	20	1.15/1	0.2	50	A3
IF-A0110	800-980	10	20	1.15/1	0.2	50	A3
IF-A0120	800-980	20	20	1.15/1	0.2	100	A3
IF-A0130	800-980	30	20	1.15/1	0.2	200	A3
IF-A0140	800-980	40	20	1.15/1	0.2	300	A3
IF-A0150	800-980	50	20	1.15/1	0.2	400	A3
IF-A6/06	1000-1100	6	20	1.25/1	0.3	50	A3
IF-A6/10	1000-1100	10	20	1.25/1	0.3	50	A3
IF-A6/20	1000-1100	20	20	1.25/1	0.3	100	A3
IF-A6/30	1000-1100	30	20	1.25/1	0.3	200	A3
IF-A6/40	1000-1100	40	20	1.25/1	0.3	300	A3
IF-A0206	1700-2200	6	20	1.20/1	0.4	50	A4
IF-A0210	1700-2200	10	20	1.20/1	0.4	50	A4
IF-A0220	1700-2200	20	20	1.20/1	0.4	100	A4
IF-A0230	1700-2200	30	20	1.20/1	0.4	200	A4
IF-A0240	1700-2200	40	20	1.20/1	0.4	300	A4
IF-A0250	1700-2200	50	20	1.20/1	0.4	400	A4

(*): Excluding coupling loss.

(**): IF-A6/XX ±1.1 dB. Other models ±1.2dB.

