

Features

- ◆ Communication bands.
- ◆ High directivity.
- ◆ Low insertion loss.
- ◆ High reliability.
- ◆ Low cost.
- ◆ Connectors N, TNC & SMA.
- ◆ Operating temperature -45/+85 °C.

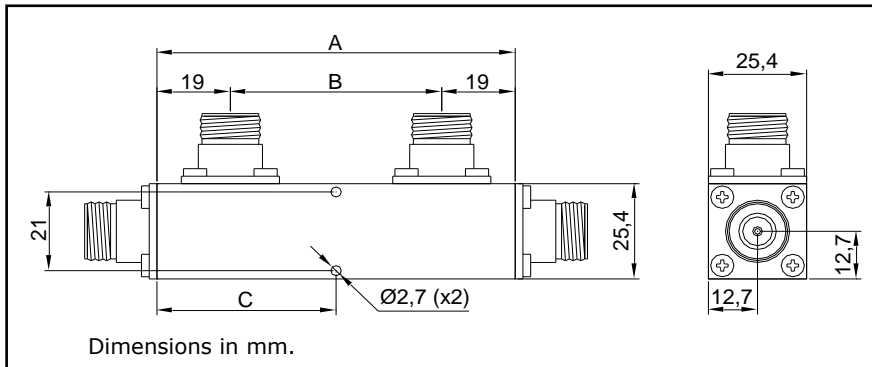


Description

Models manufactured with high reliability technologies. Multi-section structures to cover several bands in a single component.

Dual coupler to allowing the sampling of incident and reflected power. Solutions up to 500W cw and 5 KW peak power.

Custom requirement on frequency, power, package and electrical specifications are welcome.



PACKAGE	DIMENSIONS		
	A	B	C
A5	147.2	110.2	73.6
A7	261.5	223.5	130.7
A8	94	56	47
A30	85	47	42.5

Specifications

Model	Frequency range (MHz)	Nominal coupling (**)	Directivity (dB)	VSWR max	Insertion loss (dB) (*)	Incident power (W)	Package
IF-A1/06	125-250	6	25	1.1/1	0.1	50	A7
IF-A1/10	125-250	10	25	1.1/1	0.1	100	A7
IF-A1/20	125-250	20	25	1.1/1	0.1	200	A7
IF-A1/30	125-250	30	25	1.1/1	0.1	200	A7
IF-A2/06	380-420	6	20	1.15/1	0.2	50	A5
IF-A2/10	380-420	10	20	1.15/1	0.2	50	A5
IF-A2/20	380-420	20	25	1.15/1	0.2	100	A5
IF-A2/30	380-420	30	25	1.15/1	0.2	200	A5
IF-A2/40	380-420	40	25	1.15/1	0.2	200	A5
IF-A3/06	250-500	6	22	1.20/1	0.3	50	A5
IF-A3/10	250-500	10	22	1.20/1	0.3	50	A5
IF-A3/20	250-500	20	22	1.20/1	0.3	100	A5
IF-A3/30	250-500	30	22	1.20/1	0.3	200	A5
IF-A4/06	500-1000	6	22	1.20/1	0.3	50	A8
IF-A4/10	500-1000	10	22	1.20/1	0.3	100	A8
IF-A4/20	500-1000	20	22	1.20/1	0.3	200	A8
IF-A4/30	500-1000	30	22	1.20/1	0.3	200	A8
IF-A05/06	500-2000	6	20	1.25/1	0.6	50	A30
IF-A05/10	500-2000	10	20	1.25/1	0.6	50	A30
IF-A05/20	500-2000	20	20	1.25/1	0.6	100	A30
IF-A05/30	500-2000	30	20	1.25/1	0.6	200	A30

(*): Excluding coupling loss.

(**): ±1.2 dB for C=6 and 10 dB. For C> 10dB ±1.4 dB.

