

## Features

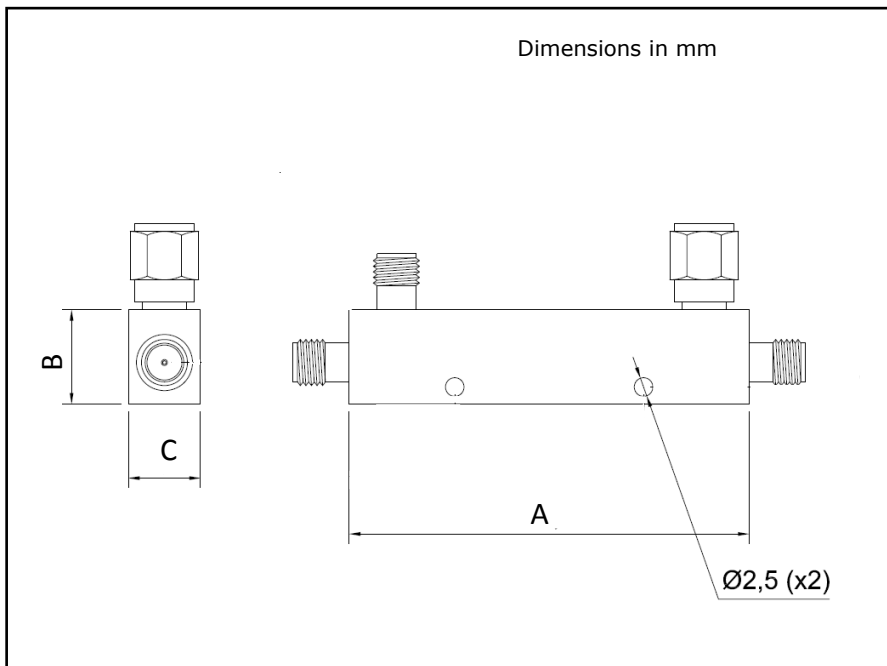
- ◇ Multi octave band
- ◇ Low insertion loss
- ◇ Medium power.
- ◇ High directivity.
- ◇ Robust and reliable
- ◇ Small size
- ◇ Operating temperature **-45/+85°C**
- ◇ Optional IP67-IEC



## Description

Models developed to cover all frequency bands until 18 GHz, working such as a directional coupler or a bidirectional coupler to sample incident and reflected power.

Manufactured with multi section technology, guarantees a reliable and robust behaviour in any operating conditions.



PACKAGE	DIMENSIONS		
	A	B	C
A14	53.8	12.7	10
A15	34.4	15	12

## Specifications

Model	Frequency range (GHz)	Nominal coupling (+/-1 dB)	Directivity (dB min)	VSWR (max)	Insertion loss (dB max)	Incident power (W max)	Reflected power (W max)	Package
IF-A6006/S	2-18	6	15	1.45/1	1.0	30	2	A14
IF-A6010/S	2-18	10	15	1.45/1	1.0	50	5	A14
IF-A6106/S	2-18	6	14	1.50/1	2.1	30	2	A15
IF-A6110/S	2-18	10	15	1.50/1	1.3	50	5	A15
IF-A6120/S	2-18	20	15	1.45/1	0.8	50	5	A15