

Features

- ◆ Operates in all the telephony bands up to 4G.
- ◆ Low insertion loss.
- ◆ Low PIM value.
- ◆ High power.
- ◆ High isolation value.
- ◆ Robust and reliable.
- ◆ IP 66- IEC.
- ◆ Operating temperature -40/+85°C.
- ◆ Optional IP67-IEC 60529.

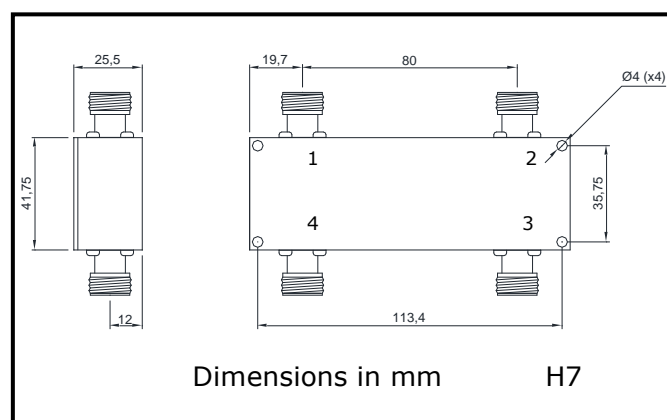
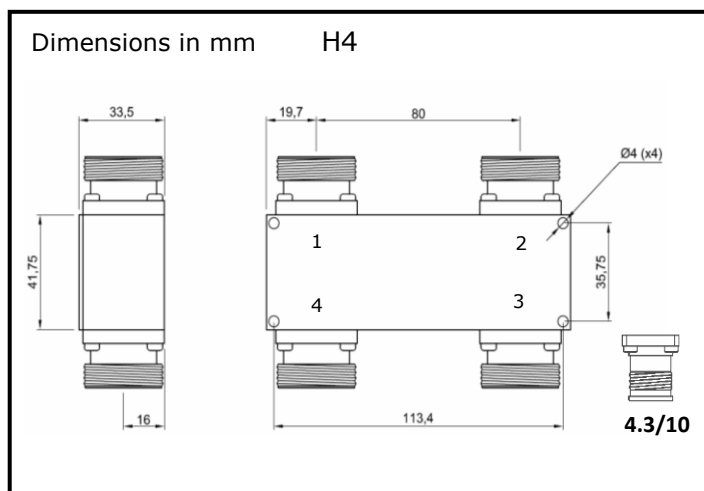


Description

The new line of hybrids high power low PIM value has been designed to cover mobile all telephony bands up to 4G.

Manufactured with multi section technology that ensures a reliable and robust behavior in any operating conditions.

Available with three kinds of connectors 7/16, N and 4.3/10



Specifications

Model	Frequency range (MHz)	Insertion loss (dB) (*)	Isolation (dB)	VSWR	Power (w)	PIM (dbc) (**)	Package
IF-H91/7	698-2700	0.75	20	1.25/1	300	-163	H4
IF-H91/N	698-2700	0.75	20	1.25/1	300	-163	H7
IF-H91/4	698-2700	0.75	20	1.25/1	300	-163	H4

(*): Without considering 3dB added by the component.

(**): 2 carriers +43 dBm.

Requires a right heatsink with power higher than 150 W.

