

## Features

- ◆ Operates in all telephony bands up to 4G.
- ◆ Low insertion loss.
- ◆ Low PIM value.
- ◆ High power.
- ◆ High directivity.
- ◆ Robust and reliable.
- ◆ IP66-IEC.
- ◆ Operating temperature -40/+85°C.

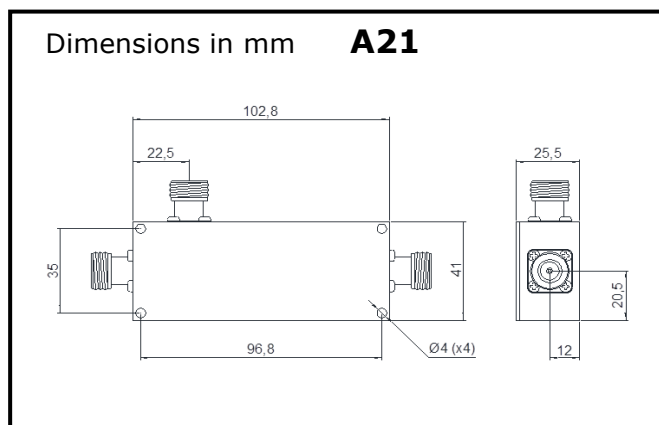
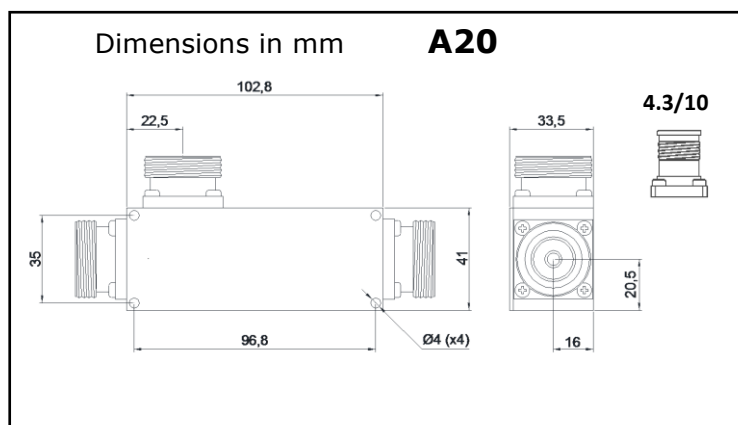


## Description

The new line of directional couplers, high power and low PIM has been developed to cover all mobile telephony bands up to 4G.

Manufactured with multi section technology, guarantees a reliable and robust behavior in any operating condition.

Available with three kinds of connectors 7/16, N and 4.3/10



## Specifications

Model	Frequency range (MHz)	Insertion loss (dB max)	Directivity (dB typ)	Coupling (dB (**))	VSWR (max)	Power (W max)	PIM (dBc min) (*)	Package
IF-A0406/X	698-2700	0.5	20	6±0.7	1.25/1	100	-155	A20-A21
IF-A0410/X	698-2700	0.5	20	10±0.8	1.25/1	150	-155	A20-A21
IF-A0413/X	698-2700	0.5	20	13±0.8	1.25/1	150	-155	A20-A21
IF-A0415/X	698-2700	0.5	20	15±0.8	1.25/1	200	-155	A20-A21
IF-A0420/X	698-2700	0.5	20	20±0.8	1.25/1	200	-155	A20-A21
IF-A0606/X	698-2700	0.5	20	6±0.7	1.25/1	100	-163	A20-A21
IF-A0610/X	698-2700	0.5	20	10±0.8	1.25/1	150	-163	A20-A21
IF-A0613/X	698-2700	0.5	20	13±0.8	1.25/1	150	-163	A20-A21
IF-A0615/X	698-2700	0.5	20	15±0.8	1.25/1	200	-163	A20-A21
IF-A0620/X	698-2700	0.5	20	20±0.8	1.25/1	200	-163	A20-A21

(\*): 2 Carriers +43 dBm.

X: N for N(f) connectors, 7 for 7/16(f) connectors and 4 for 4.3/10 (f) connectors.

(\*\*): Variation ± 0.8 dB.

Excluding loss coupling

