

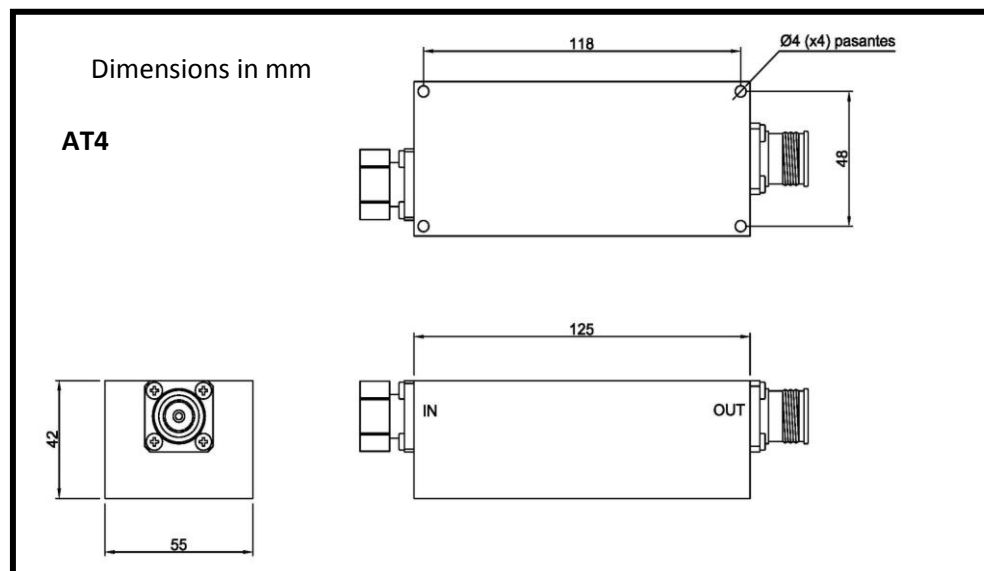
## Features.

- ◆ All telephony bands up to 4G.
- ◆ Excellent PIM value.
- ◆ Low VSWR.
- ◆ Conectorización, N, 7/16 and 4.3/10.
- ◆ Robust and reliable.
- ◆ Operating temperature -25/+70°C.
- ◆ Environmental IP67-IEC-60529.



## Description.

The new line of power attenuators developed for application in all telephony bands, where a low value of passive intermodulation products, PIM, is required, without neglecting the rest of parameter as return loss and tolerance.



## Specifications.

Model	Frequency range (MHz)	VSWR	Power (w)	PIM (dbc) 2X37	Attenuation (db)	Precision	Package
IF-ATP06/10/X	617-2700	1.25/1	13	-152	6	617 MHz:+1.3db 694MHz: 0.6 db Rest: +/-1db	AT4
IF-ATP10/10/X	617-2700	1.25/1	10	-150	10	617 MHz:+1.3db 694MHz: 0.8 db Rest: +/-1db	AT4
IF-ATP13/10/X	617-2700	1.25/1	10	-150	13	617 MHz:+1.3db 694MHz: 1db Rest: +/-1db	AT4
IF-ATP15/10/X	617-2700	1.25/1	10	-150	15	617 MHz:+1.3db 694MHz: 1db Rest: +/-1db	AT4
IF-ATP20/10/X	617-2700	1.25/1	10	-150	20	617 MHz:+1.3db 694MHz: 1db Rest: +/-1db	AT4

X = 4 ; 4.3/10 m-f (inp – out).

X=N; N m-f (inp - out) ). X=7; 7/16 m-f (inp - out).

