

## Features

- ◆ Operates in all telephony bands up to 4G.
- ◆ Low insertion loss.
- ◆ Low PIM value.
- ◆ High Power.
- ◆ High isolation.
- ◆ Robust and reliable.
- ◆ IP 66-IEC.
- ◆ Operating temperature -40/+85°C.

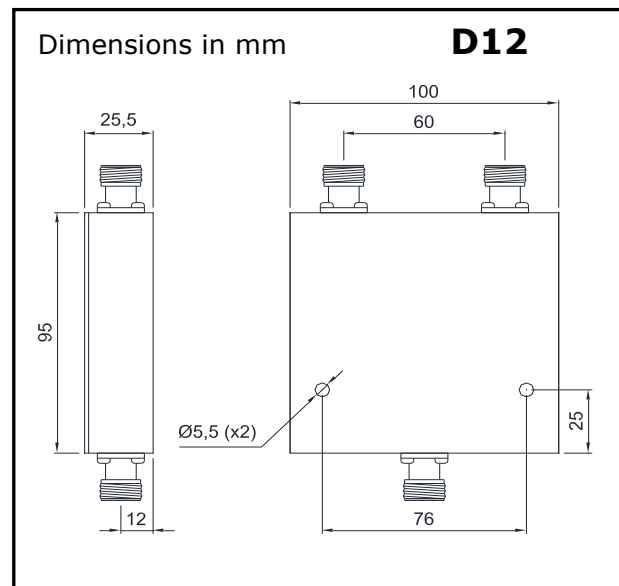
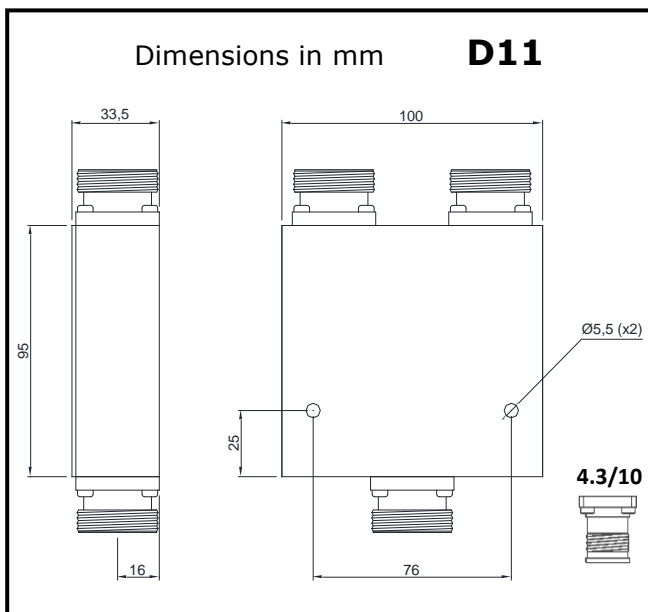


## Description

The new line of low PIM dividers/combiners, has been developed designed to cover all mobile telephony bands up to 4G

Manufactured with multi section technology, that ensures a reliable and robust behavior in any operating conditions.

Available with three kinds of connectors 7/16, N and 4.3/10



## Specifications

Model	Frequency range (MHz)	Insertion loss (dB) (*)	Isolation (dB)	VSWR	Power (w)	PIM (dBc) (**)	Package
IF-D310/7	698-2700	0.5	20	1.25/1	100	-163	D11
IF-D310/N	698-2700	0.5	20	1.25/1	100	-163	D12
IF-D310/4	698-2700	0.5	20	1.25/1	100	-163	D11

(\*): Without considering 3dB added by the component.

(\*\*): 2 carriers +43 dBm.

10 W by port, working as combiner.