

Features

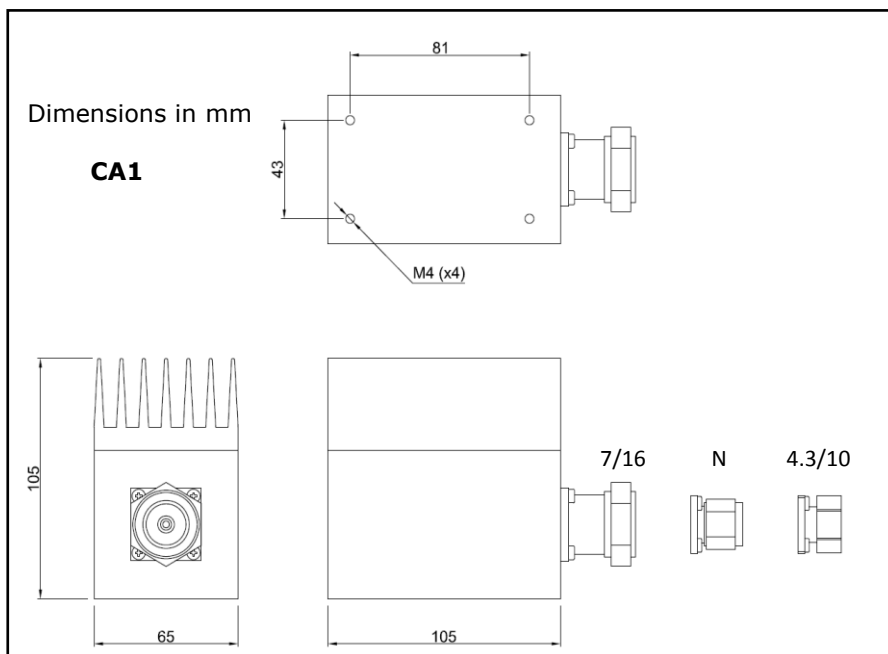
- ◆ Operates in all telephony bands up to 5G.
- ◆ Small and compact size
- ◆ Low PIM figures.
- ◆ Low VSWR figures.
- ◆ Connectorization N - 7/16 - 4.3/10
- ◆ Robust and reliable
- ◆ IP66-IEC 60529.
- ◆ Operating temperature -40/+70 °C.



Description.

New line of power loads developed for application in all telephony bands, where low PIM value is required without forgetting the return loss figures.

By its small size, easy installation and three connectorizations, N, 7/16 and 4.3/10, it is the optimal solution for any application in antenna distribution systems (DAS) or telephony installation both indoor and outdoor.



Specifications

Model	Operating frequency (MHz)	VSWR (**)	Power (w)	PIM (dBc typ) (*)	Weight (Kg)	Package
IF-CA50LP/7x	698-4000	1.25/1	80	-170	1.2	CA1
IF-CA50LP/Nx	698-4000	1.25/1	80	-170	1.2	CA1
IF-CA50LP/4x	698-4000	1.25/1	80	-170	1.2	CA1
IF-CA50LP1/7x	698-4000	1.20/1	80	-170	1.5	CA1
IF-CA50LP1/Nx	698-4000	1.20/1	80	-170	1.5	CA1
IF-CA50LP1/4x	698-4000	1.20/1	80	-170	1.5	CA1

(*): Two carriers +43 dbm.

(**): 1.35/1 from 698-800MHz for model IF-CA50LP.

X: M for plug, H for jack.

Input power	T ambient	Mounted
60W	-40/+70°C	Vertically mounted
70W	-40/+55°C	
80W	-40/+45°C	

