

## Features.

- ◆ Ability to develop solutions up to 40 GHz.
- ◆ Hybrid technology.
- ◆ High level of integration.
- ◆ Meets the MIL Standard STD 202 G.
- ◆ Integration of passive and active devices
- ◆ Custom solutions in size, finish and performance.



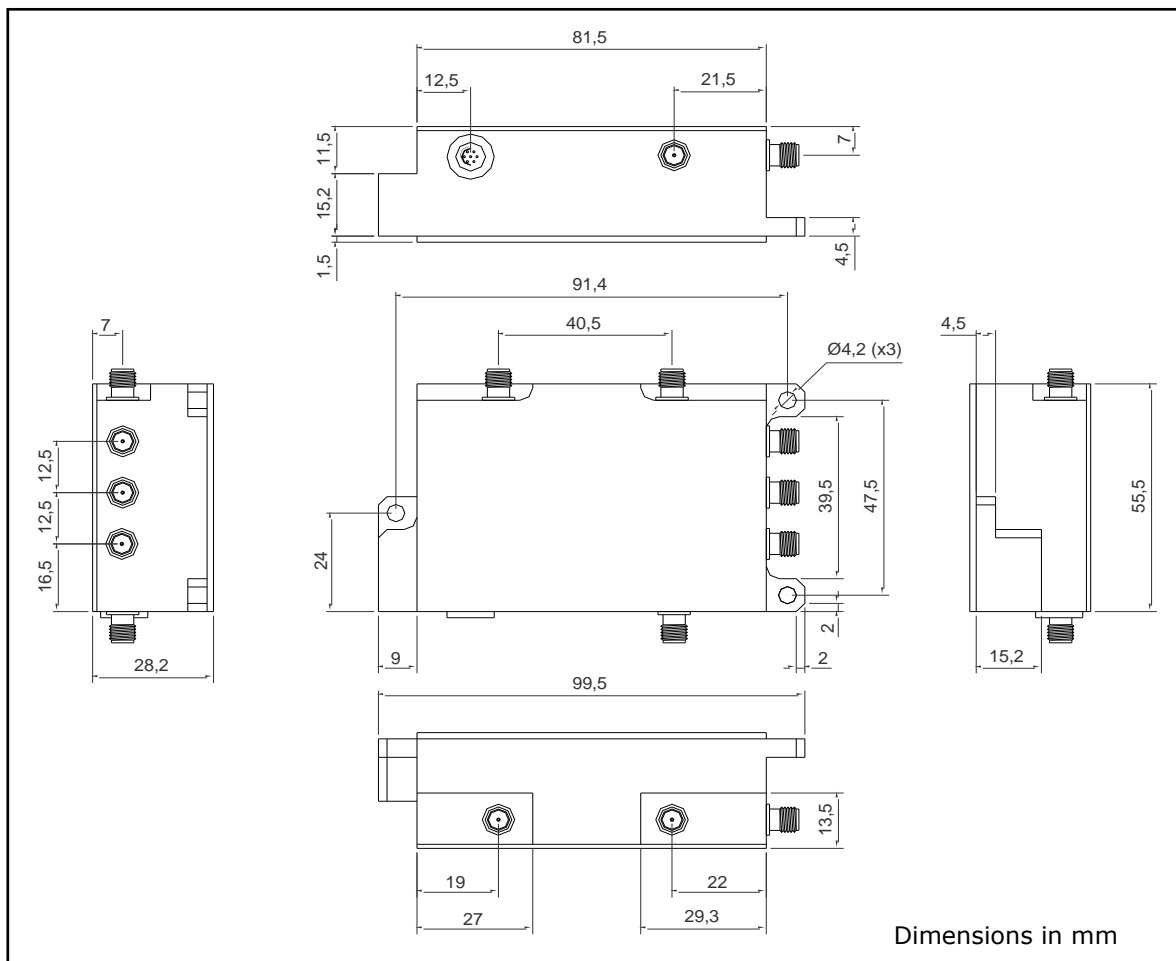
## Description.

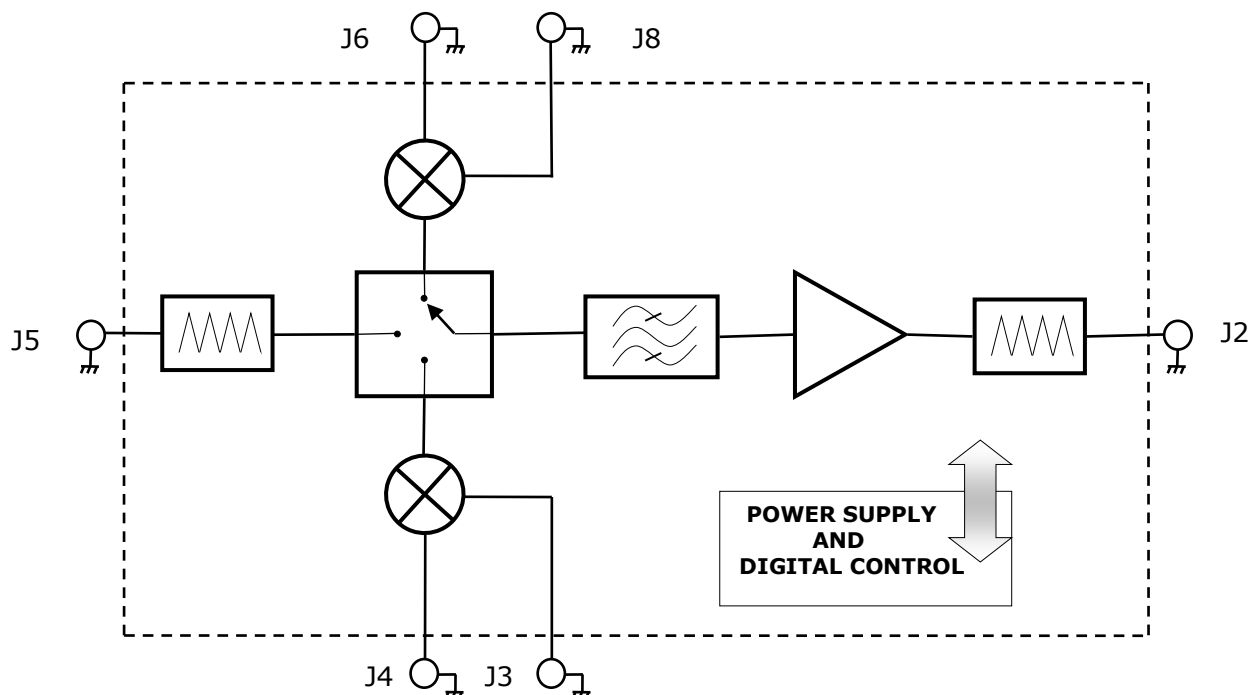
The technological capabilities of Infacom, allows to manufacture all kinds of subsystems with high level of integration using hybrid technology.

The reliability of the technology used by Infacom, allows manufacture product according MIL STD 202 F.

The model IF-M124 is a good example of subsystem development by Infacom. Basically, is a three channels frequency converter to use in avionic applications.

Tailored solutions in frequencies, power and finish.





## Specifications.

	PORT					
	J2	J3	J4	J6	J8	J5
VSWR (máx)	2.0:1	3.0:1				2.0:1
P (dBm)	-20	+10	-45	-45	+10	-20
ISOLATION dB (mín)	J05-J06	J05-J08	J06-J08	J05-J03	J05-J04	J03-J04
	70	70	30	70	70	30

PARÁMETER	VALUE	UNITS
Switching speed	0.7 típ	msec
Input frequency	DC-18	GHz (*)
	1-2	GHz (**)
Output frequency	1-2	GHz (***)
Power supply	+5 y +12/150	Vcc/I(mA)
Connectors	SMA(F) y Micro miniature	
Environmental	MIL STD 202F	

(\*): On the connectors J3, J4, J6 y J8.

(\*\*): On the connector J5.

(\*\*\*): On the connector J2.

