

Features.

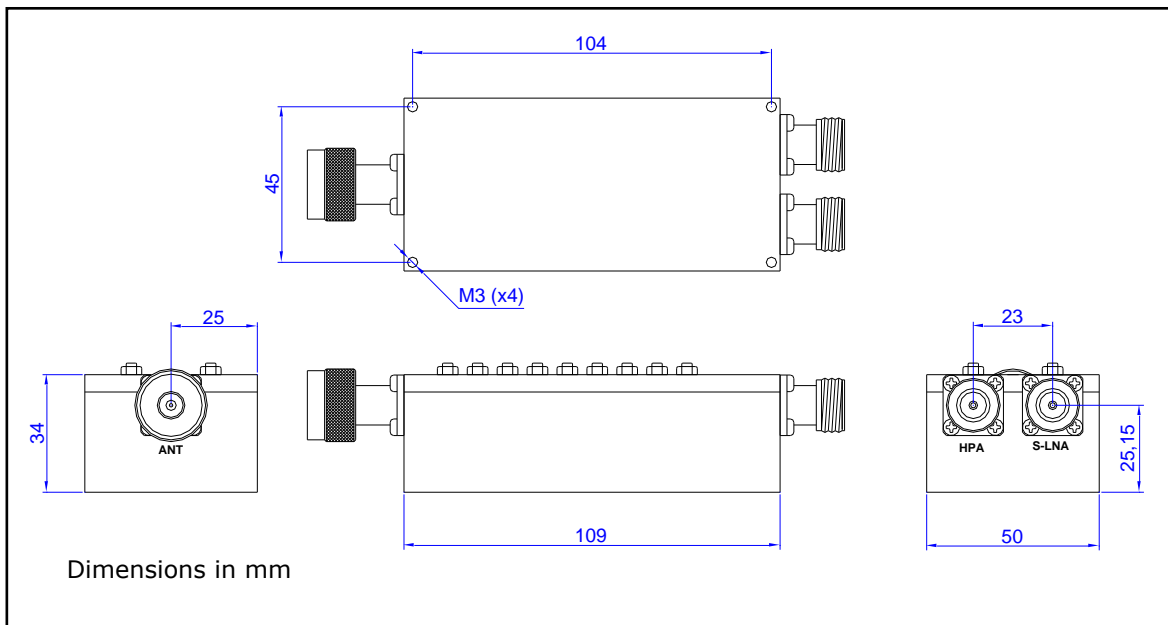
- ◆ Transmission and reception in S Band.
- ◆ High gain LNA at Rx.
- ◆ Duplexer and LNA integrated.
- ◆ Low noise figure.
- ◆ Low insertion loss in each channel.
- ◆ Bias through Rx connector.
- ◆ Temperature range -45/+85 °C.
- ◆ IP67-IEC 60529.
- ◆ High rejection Tx - Rx.
- ◆ Coaxial connection to the antenna feeder.
- ◆ Optional surge protector in common port.



Description.

The model IF-DUP/LNA-INTA, works in S band, allows the communication between ground stations to the satellites.

Composed of a duplexer with high isolation between transmission channel (Tx) and reception (Rx) and one low noise level amplifier, supplied through N output connector, Rx. The entire assemble is mounted on the same package to facilitate the integration to the antenna.



Electrical specifications.

PARAMETER	UNIT	SPECIFICATIONS	
		Low	High
Central Frequency	MHz	2047	2223
Insertion Loss	dB	1.15 max. *	
Gain	dB		43 min. *
Noise Figure	dB		1.65 max.
Bandwidth 3 dB	dB	15 min.	
VSWR	-	1.50:1 max. **	
Isolation	dB	80 min. @ 2215 MHz	40 min. @ 2054 MHz
Supply	Vcc/I(mA)		12/130 ***
Output Power 1dB Comp	dBm		2 typ.
Dimensions	Mm	109 x 34 x 50 (IP68)	
Connector type	-	N (M) ANT; N (F) HPA/S-LNA	

* @ fo
 ** 80% band pass
 *** Through S-LNA connector

Block diagram IF-DUP/LNA-INTA

