

Features.

- ◇ Transmission frequency 900-950 MHz
- ◇ Reception frequency 900-950MHz.
- ◇ Output power Tx, 2 W.
- ◇ Optional up 50 W.
- ◇ High sensitivity in Rx.
- ◇ Low noise figure.
- ◇ High Rx gain value.
- ◇ High isolation TX-Rx.
- ◇ Automatic control Tx-Rx and Rx-Tx.
- ◇ Fast switching time Tx-Rx.
- ◇ Total protection in Tx.
- ◇ Total protection in Rx.
- ◇ Operating temperature -25/+60°C.
- ◇ Optional -45/85°C.
- ◇ IP66- IEC.



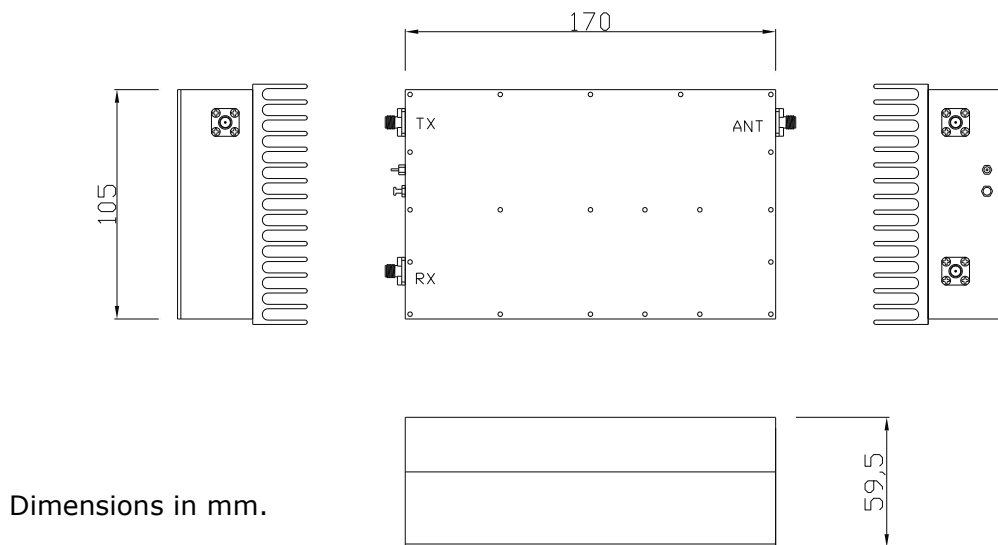
Description.

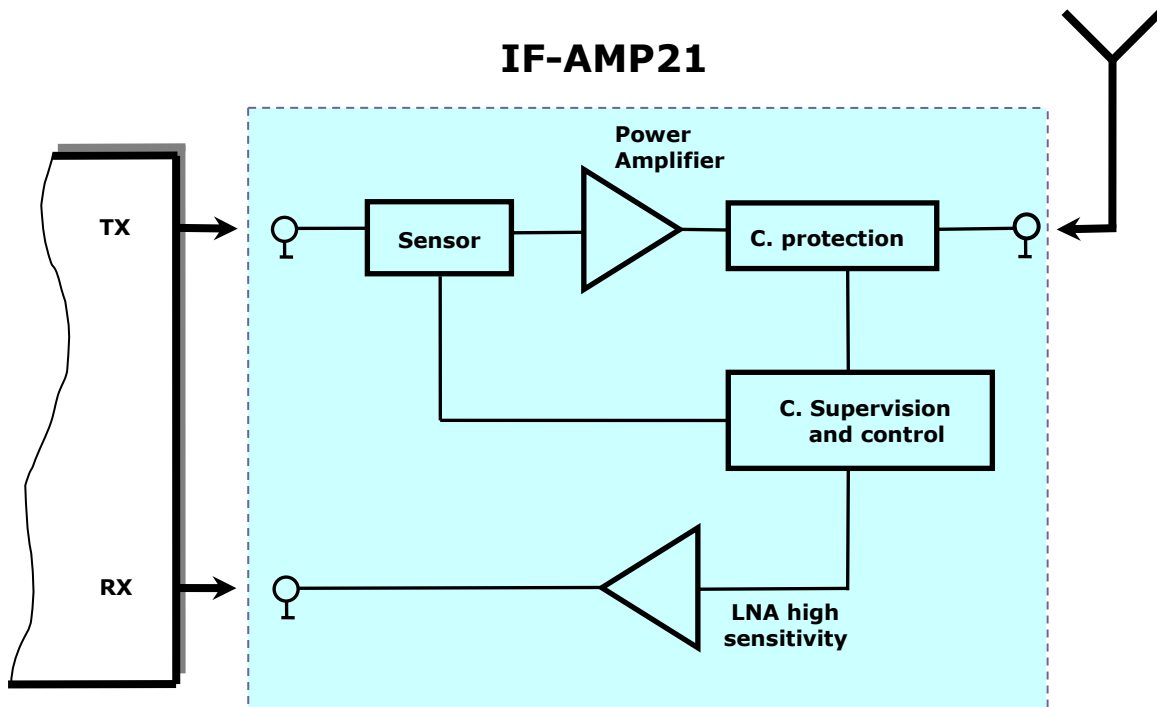
The model IF-AMP21 is designed to provide high coverage and sensitivity in communication equipments such as analogical and digitals ones, needing only one common antenna for transmission and reception.

The robust and compact design, allows to use this unit in a mobile application, indoors or outdoors.

The internal design, with the logic control, let the unit unattended work away from control center.

MECHANICAL SPECIFICATIONS





ELECTRICAL SPECIFICATIONS

PARAMETERS	VALUE	UNITS
Frequency range	900-950(*)	MHz
Output power Tx 1 dB compression	2 (**)	W
Input power Tx	+10	dBm typ
Gain Rx channel	48 (***)	dB
Noise figure Rx channel	1.1	dB
Sensitivity RX channel	-145	dBm
Isolation between channels	90	dB min
Switching time between channels	100	ms
Supply	+28/ (1.1)	VDC/ A
Protection in antenna	Shorts and opens	
Size	170x105x59.5	mm.
Connectors	SMA(H)	
Temperature range	-25/+60	°C
Weigh	1	Kg
Package	Aluminum	IP66-IEC

(*): Available for others frequencies.

(**): Available for other power until 50 W.

(***): Available for other gain values.