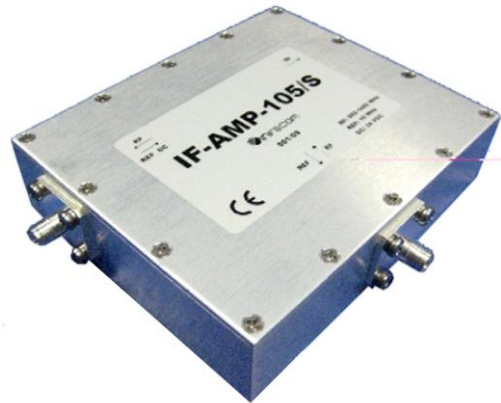


Features.

- ◇ Low noise level.
- ◇ High gain.
- ◇ External reference input and output.
- ◇ Supply through input connector.
- ◇ High input sensitivity.
- ◇ Monitoring output.
- ◇ Conectorization N, TNC & SMA.
- ◇ Operating temperature -45/+85 °C.
- ◇ IP67-IEC 60529.
- ◇ Optional custom equalized gain.
- ◇ Optional external reference between 5 and 100 MHz.



Description.

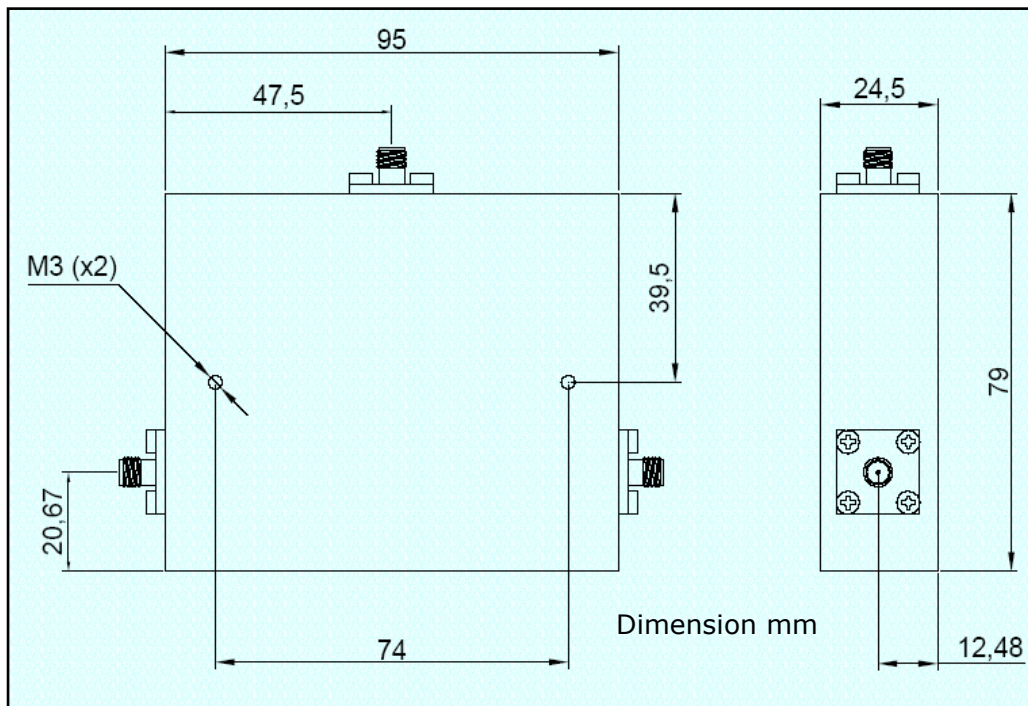
The model IF-AMP-105/S is a line amplifier for terrestrial stations in satellite communications. It is designed to be able of increasing the sensitivity and gain to the receiving antenna.

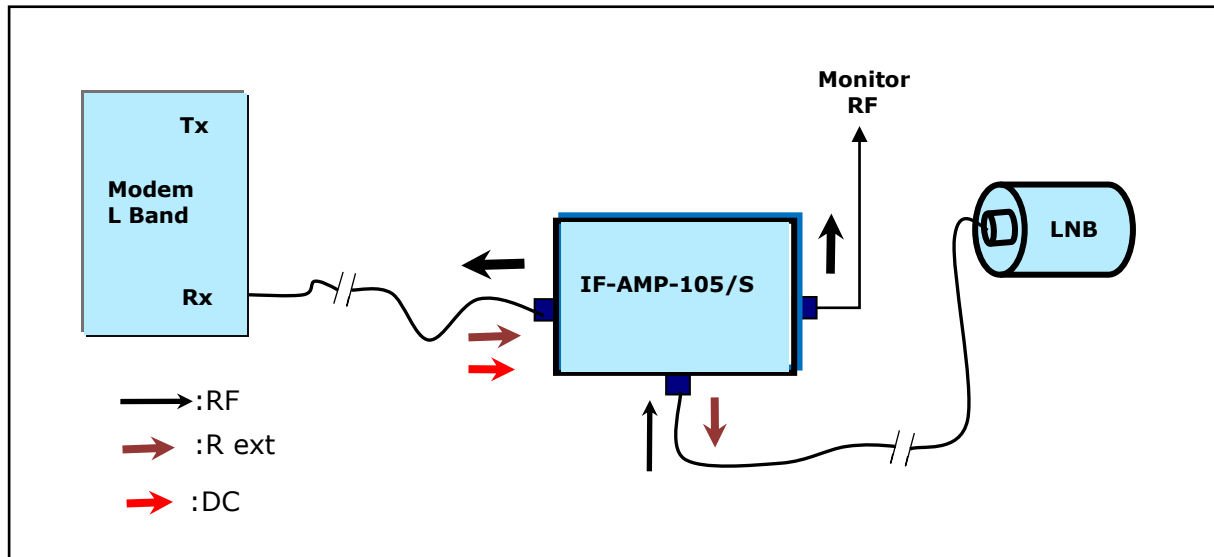
It is supplied through the input connector; lets the signal of external signal reference pass from the input connector to the output one, with a minimum attenuation.

It presents an output monitoring to check the carries present all times on the unit.

The robust and small size to the package, allows to use the unit in extreme operating conditions

Mechanical drawing.



CONNECTIONS IF-AMP-105/S

SPECIFICATIONS IF- AMP-105/S

PARAMETER	VALUE	UNIT
RF Frequency	950-1450	MHz
RF Gain	30	dB (typ)
RF Gain variation	+/- 1.2	dB (max)
Noise Figure	0.9	dB (typ)
VSWR	2.5/1 (*) 1.43/1(**)	
Output Power 1 dB compression	-12	dBm (min)
Frequency external reference	10	MHz
Insertion Loss	1(***)	dB (max)
Supply (****)	+24/150	VDC/ mA
LNB Connector	SMA (h)	
Signals in LNB connector	RF and R ext	
Modem connector	SMA(h)	
Signals in modem connector	RF; R ext y VDC	
Monitor connector	SMA(h)	
Signals in monitor	RF and R Ext	
Balance amplitude monitor RF	+/- 0.3	dB (max)
Temperature range	-45/+85	°C

- *: In LNB connector.
- ** : In modem connector.
- ***: Between modem and LNB connectors.
- ****: Through modem connector.

