

Features

- ◆ Operates in all the telephony bands up to 4G.
- ◆ Low insertion loss.
- ◆ High power.
- ◆ High isolation value.
- ◆ Robust and reliable.
- ◆ IP 66- IEC.
- ◆ Operating temperature -45/+85°C.

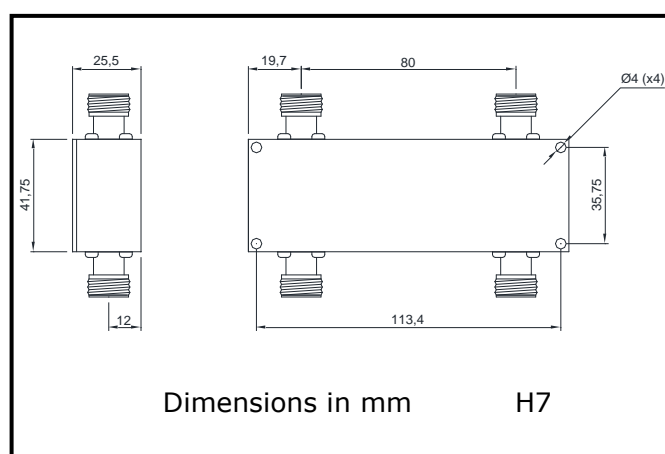
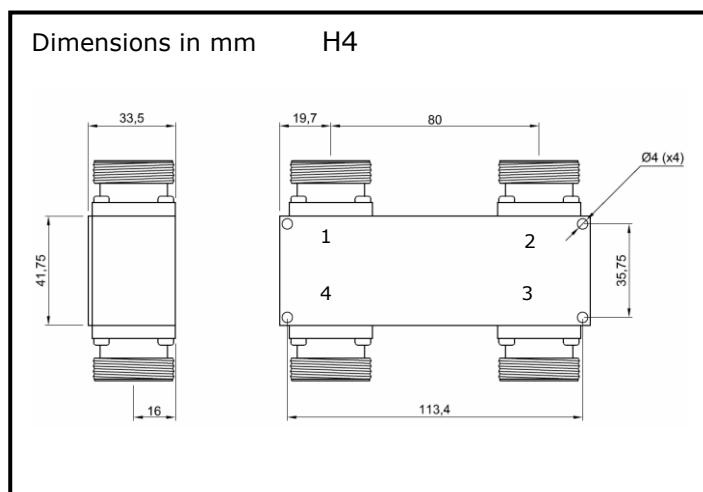


Description

The new line of high power hybrids, has been developed for intensive use in any facilities as communications, radar, satcom and of global telephony market up to 4G.

Manufactured with multi section technology that ensures a reliable and robust behavior in any operating conditions.

Available with three kinds of connectors 7/16, N and 4.3/10



Phase diagram

OUT \ IN	1	2	3	4
1	X	ISO	-90°	0°
2	ISO	X	0°	-90°
3	-90°	0°	X	ISO
4	0°	-90°	ISO	X

Specifications

Model	Frequency range (MHz)	Insertion loss (dB) (*)	Isolation (dB)	VSWR	Power (w)	PIM (dbc) (**)	Package
IF-H95/7	698-2700	0.75	20	1.25/1	300	-163	H4
IF-H95/N	698-2700	0.75	20	1.25/1	300	-163	H7
IF-H95/4	698-2700	0.75	20	1.25/1	300	-163	H4

(*): Without considering 3dB added by the component.

(**): One carrier. Requires a right heat sink with power higher than 150 W.

