

Features.

- ◆ Operating frequency 7.9–8.4 GHz.
- ◆ High gain module.
- ◆ Medium output power.
- ◆ High reliability.
- ◆ High linearity.
- ◆ Operating temperature -30/+60 °C.
- ◆ Robust design.
- ◆ Environmental IP66-IEC.

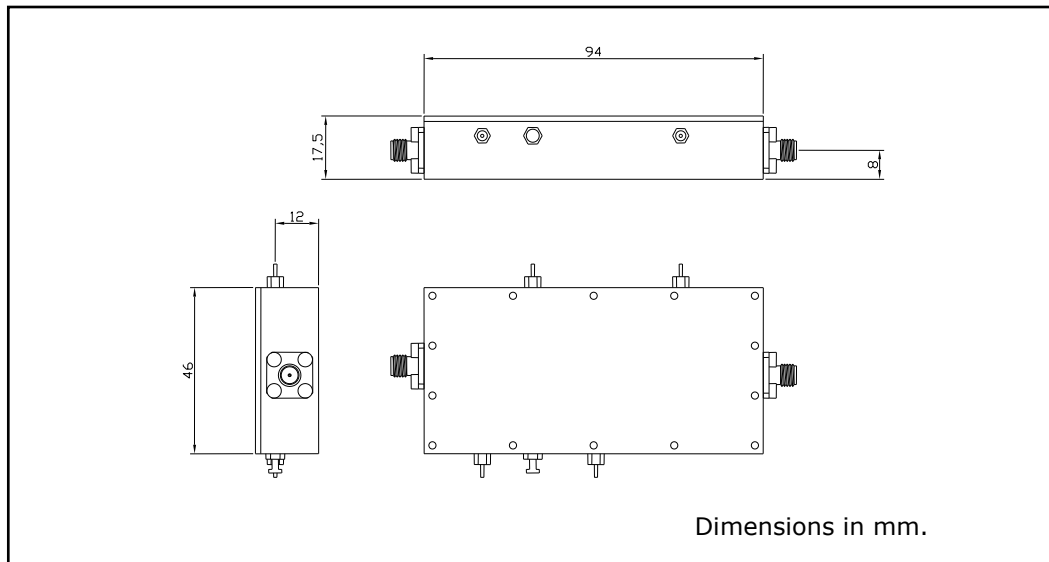


Description.

The GaAs technology, used in this design, let get good performance, without any degradation of reliability and safety behaviour.

Designed to integrate easily into existing equipment where size is a critical factor.

Solutions in frequency, gain, power and finished up to IP68



Module specifications.

PARAMETER	VALUE	UNITS
Operating frequency	7.9 – 8.4	GHz
Gain min.	34	db
Output power at 1 db comp.	+36	dbm
VSWR máx. input- output	2.0/1	
Flatness	+/- 0.4	db
Input power no damage	+10	dbm
Operating temperature	-30/ +70	°C
Storage temperatura	-55/ +100	°C
Power supply dual	+10/-5 // 3.4/0.2 A	VDC
Power supply single	+24 / 1.6A	VDC
Environmental	IP66	
Size	94x46x17.5	mm
Weight	150	gr