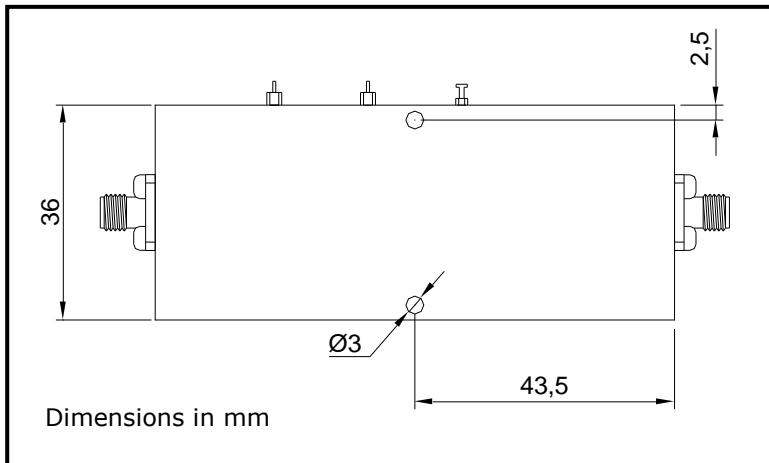


Features

- ◆ Working at telecommunication bands.
- ◆ Integrated attenuator.
- ◆ High linearity.
- ◆ Excellent IP3 value.
- ◆ Robust and reliable.
- ◆ Operating temperature $-40/+75$ °C.
- ◆ IP66 -IEC.



Description

The model IF-AMP-2200/20A/S has been designed for an intensive use in all the communications bands.

It has a voltage controlled attenuator that allows to adjust continuously the gain and the output power.

Due to these features, it is an ideal solution to use in portable equipment, driver, calibrate-measure laboratories, etc.

The hermeticity level up to IP68 allow to use indoor and outdoor.

Infacom has available custom solution in gain, power, hermeticity and size.

Specifications

Parameters	Values	Units
Frequency range	800-2200	MHz
Input power no damage	0 +/-2	dB
Gain max	20	dB
Output power at 1 db compression	+22	dBm
Gain variation	+/-1.5	dB
IP3	47 (**)	dBm
Impedance	50	Ω
Return loss. input/output.	11	dB typ
Conectorization	SMA (h)	
Power supply	+12 / 0.3	VDC / A
Hermeticity	IP 65	
Operating temperatura	$-40 / +75$ (*)	°C
Storage temperature	$-45 / +85$	°C
Size.	87 x 36 x 14	mm
Attenuation max	20	dB
Attenuator control	0/+12	VDC

(*): Case temperature 45°C. For higher values use the appropriate heat sink.

(**): To 900 MHz.

Block diagram

