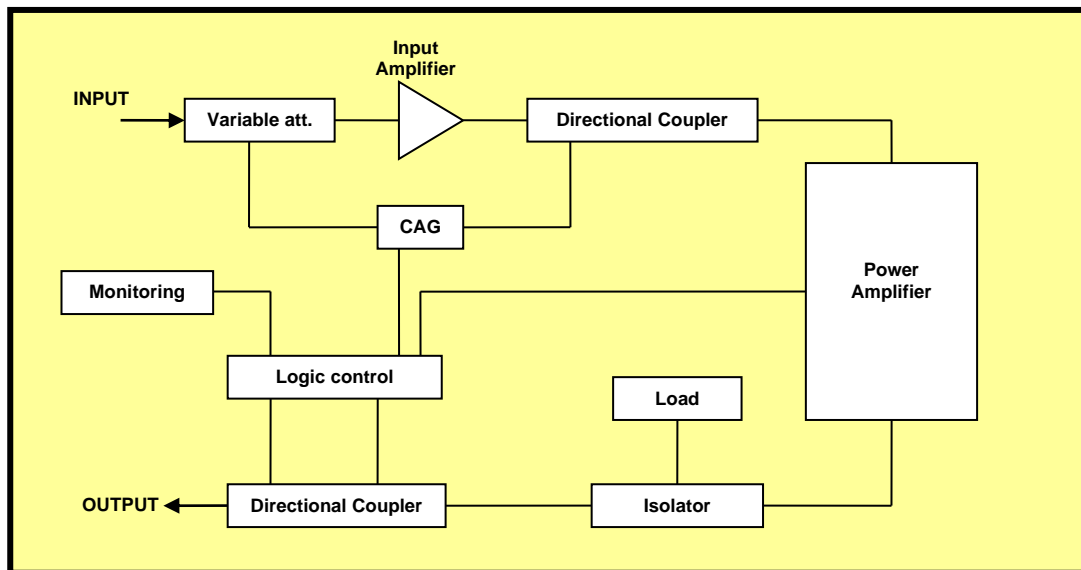


Features.

- ◇ Frequency range: 370-430 MHz.
- ◇ Gain: 30-50 dB.
- ◇ Input Power: +3/+23 dBm.
- ◇ Power 1dB compression: 190W.
- ◇ Output Power saturation: 240W.
- ◇ CW-AM-FM-PM-Pulsed.
- ◇ Spurious: -80 dBc.
- ◇ Harmonics: -55 dBc.
- ◇ VSWR: 2/1.
- ◇ Impedance in/out: 50/50 ohm.
- ◇ Connectors: N (h).
- ◇ Operating temperature: -30/+85°C.
- ◇ Supply: 220 VAC/4.5A max.
- ◇ Optional others powers and frequencies up to 18GHz.
- ◇ Dimensions: Rack 19" (480x220x550mm).
- ◇ Forced coolers with fans (two in the sides).
- ◇ Weigh: 15 Kg.



AMPLIFIER BLOCKS DIAGRAM



Description Model IF-A200-1.

Amplifier designed to be used in applications where is required high output power with excellent signal purity in communications band.

The unit can work with several modulations as, CW, AM, FM, PM and pulsed.

At the front panel are locate the optical alarms and the connectors for monitor the transmitted and reflected power.

The amplifier has been manufacture in standard chassis of 19" 4U, to let the easy integration at the rack of central station to the user.

