

Features.

- ◆ **Operating frequency 136-750MHz.**
- ◆ **Combines 4 communication bands.**
- ◆ **Low insertion loss.**
- ◆ **Robust and reliable.**
- ◆ **3U rack mount chassis.**
- ◆ **High isolation between bands.**



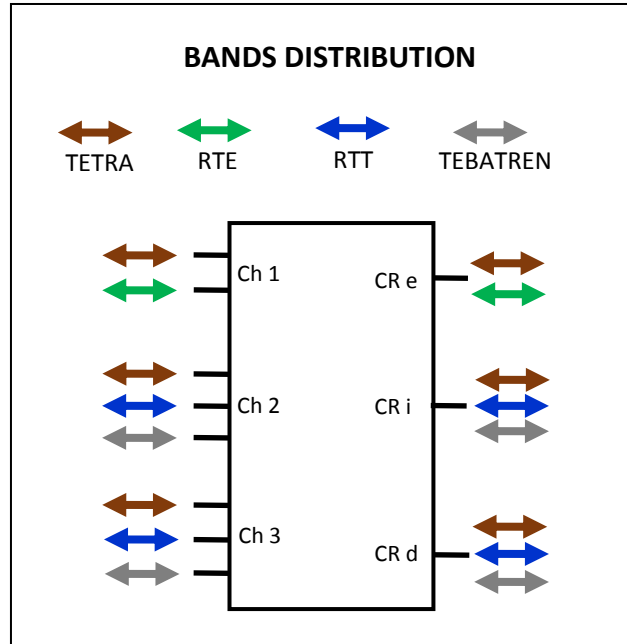
Description

The IF-DUP140-M model allows the combination of 4 communication bands between 136 and 750MHz, guaranteed, low insertion and high isolation value between the working bands.

Designed for intensive use either in control centers or totally unattended, it can handle 100W(cw) of power, optional up to 250W.

Available in standard 19-inch and 3U indoor rack.

Optional low cost in 19-inch open tray indoor or in wall box or rack of 19-inch for outdoor use up to IP66.



Specifications.

DESCRIPCIÓN	PARAMETERS	VALUE	UNITS
Bands	RTT	136-174	MHz
	TETRA	380-395	
	RTE	450-470	
	TEBATREN	650-750	
Channel 1	Input-Output: TETRA+RTE Output-Input CR e: TETRA+RTE	I.L: 1.0	db
Channel 2	Input-Output: RTT+TETRA+TEBATREN Output-Input Ci: RTT+TETRA+TEBATREN	I.L RTT: 1.0 I.L TETRA: 1.5 I.L TEBATREN: 1.0	db
Channel 3	Input-Output: RTT+TETRA+TEBATREN Output-Input CR d: RTT+TETRA+TEBATREN	I.L RTT: 1.0 I.L TETRA: 1.5 I.L TEBATREN: 1.0	db
Common	Channels isolation	45	dbc min
	VSWR	1,5/1	
	Connectors at the rear panel	N (h)	
	Operating temperature	-30/+75	°C
	Power(cw)	100	W
	Environmental	IP61	
	Mount chassis	rack de 19"/ 3U	
Finished	RAL 7035		

Spec at 25°C.

