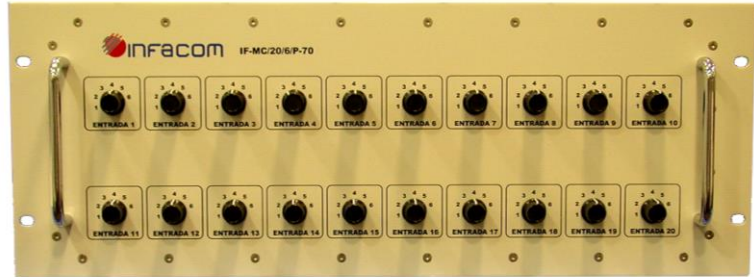
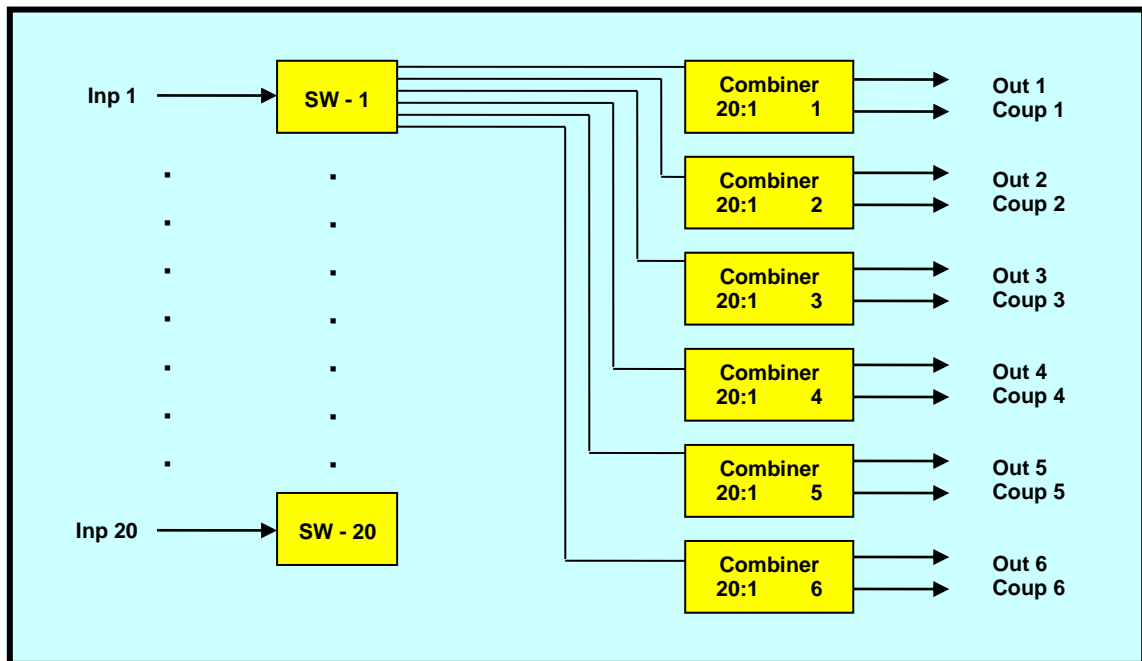


Features.

- ◆ Operating frequency 45-95MHz.
- ◆ Insertion loss 21db máx.
- ◆ Return loss 15 db máx.
- ◆ Input power 1W máx.
- ◆ RF input power -90 dbm min.
- ◆ Impedance 50 ohm.
- ◆ Connectors BNC (h).
- ◆ Monitor RF output.
- ◆ Channel selection since front panel.
- ◆ Input/ output at rear panel.
- ◆ 20 Inputs/outputs and 6 outputs/inputs.
- ◆ Operating temperature -25/+60° C.
- ◆ Rack 4 U, 19”.



MATRIX BLOCK DIAGRAM



Model Description. IF-MC/20/6/P-70

Designed to be used in applications where is required to combine several IF carriers independently; with flexibility and reliability.

Let you combine any of the 20 inputs with each one of the 6 outputs. It presents monitoring output in each output.

Manual selection to the routing of the signals since the front panel.

Optionally the equipment can be supplied without insertion loss, in that case it requires 220AC power supply.

Mounted on 19”, 4U; with fixed holes to integrate easily in 19” normalized rack.

