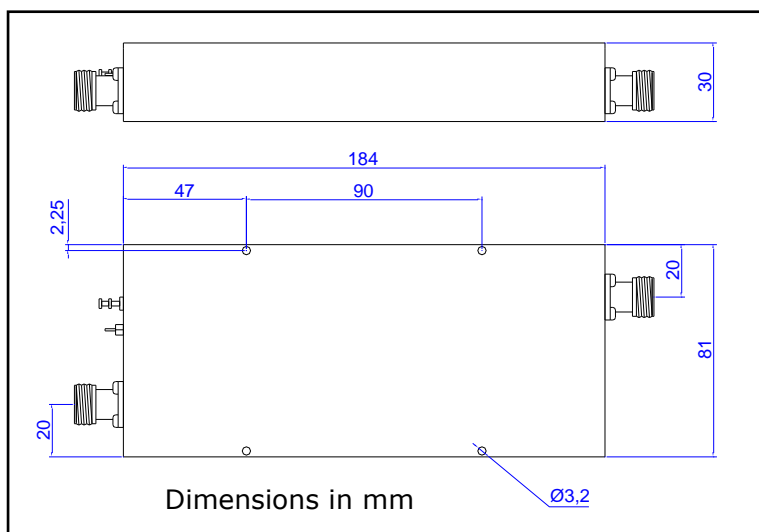
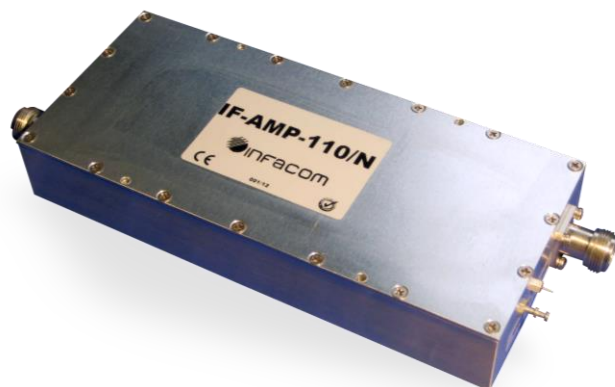


Features

- ◇ Cover all TETRA bands.
- ◇ High output power.
- ◇ High linearity.
- ◇ Excellent IP3 figure.
- ◇ High gain.
- ◇ Robust and reliable.
- ◇ Operating temperature -40/+75 °C.
- ◇ Optional IP67-IEC 60529.



Specifications

PARAMETERS	VALUE	UNITS
Operating frequency	380-450	MHz
Max input power no damage	-19	dBm
Small signal gain	65	dB
Output power at 1 db compression	40	W
Saturation power	50	W
Gain flatness	+/-1	dB
Harmonics	-45	dbc
Spurious	-80	dbc
IP3	+57	dBm
Impedance	50	Ω
Return loss at input/output.	12	dB typ
Connector.	N (f)	
Power supply.	+24 / 5	VDC / A
Environmental level	IP 66	
Baseplate temperature.	-40 /+75	°C
Storage temperature.	-45 / +85	°C
Size.	130x 80 x 30	mm
Weight.	0.4	Kg

Description.

The model IF-AMP-110 / N has been designed for intensive use in civil TETRA bands either emergency or everyday use.

It can provide 40W output power with a gain of 65 db.

The technology used allows to achieve high performance and high linearity value throughout the operating band, so that is recommended for all applications whether analog and/or digital.

The IP66 tightness level allows use both indoors and outdoors applications.

The output port is protected by an isolator, so that allows to work in extreme conditions, as short and open circuit.

The amplifier requires a suitable heat sink for proper operation.

Custom solutions in power, gain and size.

