

Features

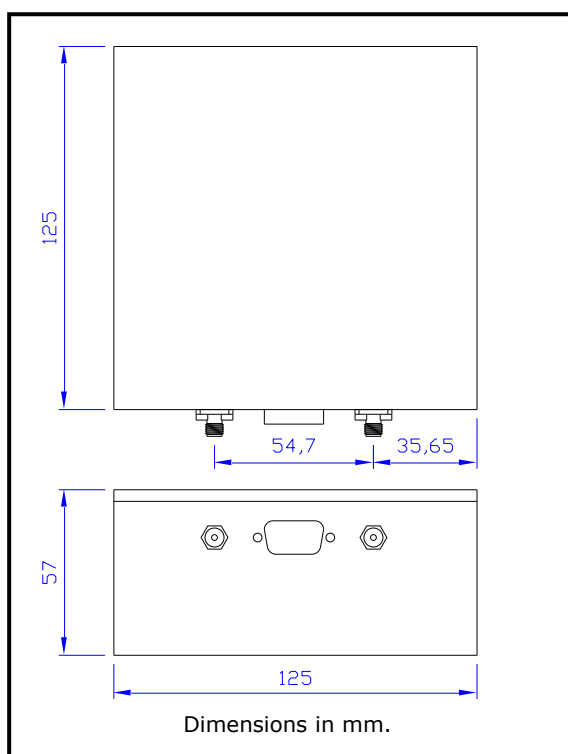
- ◆ DC-18 GHz.
- ◆ 0-60 dB, 10 dB steps.
- ◆ Logic control TTL.
- ◆ Supply +12Vdc.
- ◆ Low insertion loss.
- ◆ Robust package.
- ◆ Operating temperature -45/+85°C



Description

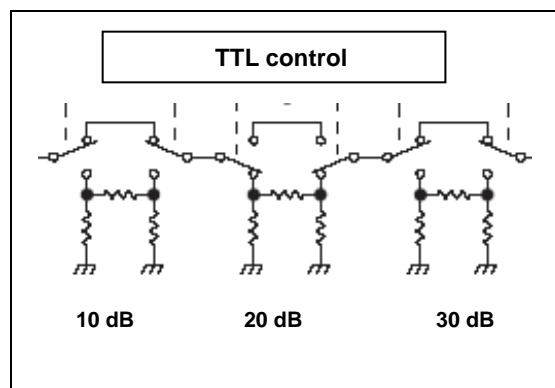
The model IF-AT101 is an attenuator controlled digitally with TTL levels. The attenuation levels are defined between 0 and 60 dB with 10dB steps. It can work with good specifications in the frequency band DC to 18 GHz.

Developed for applications where it is required, high reliability, small size and easy to use, all the controls and supply are integrated in a sub-D connector.



Specifications

Parameters	Values	Units
Frequency range	DC-18	GHz
Attenuation	0-60	dB
Accuracy	+/- 5%	
Control	TTL	
Supply	+12	VDC
Insertion Loss	2.7	dB typ.
VSWR	2/1	
Switching time	25	ms Max
Power	0.1	W (cw)
Temperature range	-55/+85	°C
Connectors	SMA	
Size	125x57x125	mm



Levels			Attenuation (dB)
TTL3	TTL2	TTL1	
0	0	0	Insert. Loss
0	0	1	10
0	1	0	20
0	1	1	30
1	0	0	30
1	0	1	40
1	1	0	50
1	1	1	60

