

**Features**

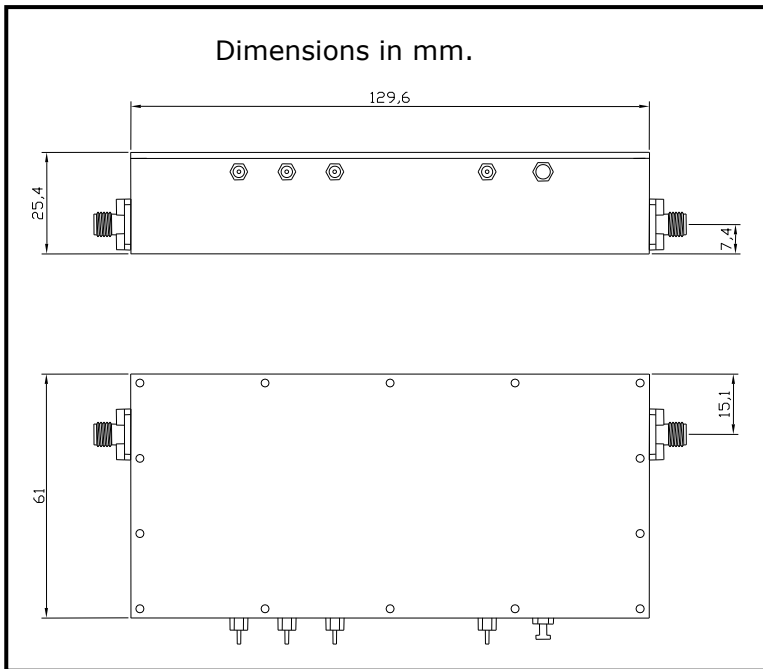
- ◇ DC- 6.0 GHz.
- ◇ Digital attenuator 0 - 60dB.
- ◇ 10 dB step.
- ◇ Control logic TTL.
- ◇ Power supply +12VDC.
- ◇ Low insertion loss.
- ◇ Package robust and small.
- ◇ High power.
- ◇ Operating temperature -40/+85 °C



**Description**

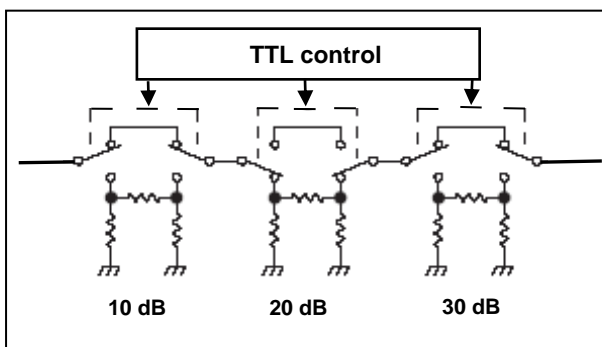
Model developed to achieve the maximal features of size, power, reliability and switching time.

Modifications of Custom design requirement on frequency up 15 GHz and attenuation with steps from 1 dB to 63 dB.



Attenuation selection			
Levels			Attenuation (dB)
E1	E2	E3	
0	0	0	Inser Loss
0	0	1	10
0	1	0	20
0	1	1	30
1	0	0	30
1	0	1	40
1	1	0	50
1	1	1	60

**Electrical schematic and specifications model IF-AT100.**



Parameters	Values	Units
Operating frequency	DC-6000	MHz
Attenuation	0-60	dB
Accuracy	+/- 5%	
Control	TTL	
Power supply	+12	VDC
Insertion loss	1.5	dB Max.
VSWR	1.3/1	
Switching time	30	ms Max
Power	10	W (cw)
Operating temperature	-40/+85	°C
Connectors	SMA	