

## Features

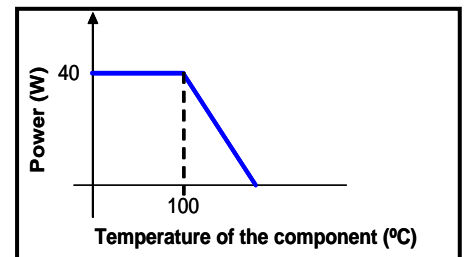
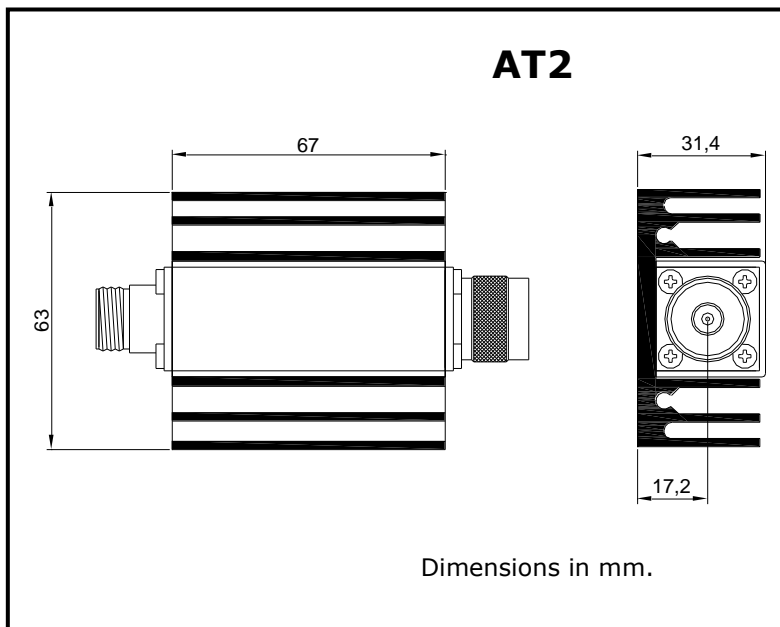
- ◆ Operates at communication bands.
- ◆ High accuracy.
- ◆ High reliability.
- ◆ Low cost.
- ◆ Connectorization, N, SMA & BNC.
- ◆ Operating temperature -45/+85 °C.



## Description

Models manufactured with high reliability technologies in order to guarantee the accuracy and repetitive given in the specifications.

Custom design requirement on frequency, power, package and electrical specifications, are welcome



## Specifications

Model	Frequency range (MHz)	Attenuation (dB)	VSWR (max)	Accuracy (dB)	Variation (dB)	Power (W max)	Package
IF-AT03/40	DC-3000	3	1.30/1	0.20	0.20	40	AT2
IF-AT06/40	DC-3000	6	1.30/1	0.25	0.25	40	AT2
IF-AT10/40	DC-3000	10	1.30/1	0.50	0.50	40	AT2
IF-AT20/40	DC-3000	20	1.30/1	0.60	0.60	40	AT2
IF-AT30/40	DC-3000	30	1.30/1	0.70	0.70	40	AT2

Specifications at 25°C.