

Features

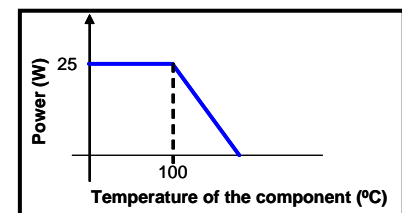
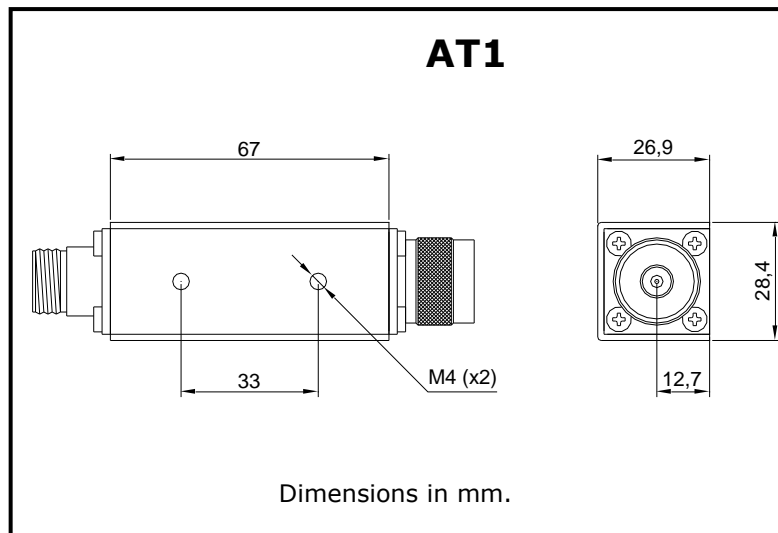
- ◆ Operates at communication bands.
- ◆ High accuracy.
- ◆ High reliability.
- ◆ Low cost.
- ◆ Connectorization N, TNC, SMA & BNC.
- ◆ Operating temperature -45/+85 °C.



Description

Models manufactured with high reliability technologies in order to guarantee the accuracy and repetitive given in the specifications.

Custom design requirement on frequency, power, package and electrical specifications, are welcome



Specifications

Model	Frequency range (MHz)	Attenuation (dB)	VSWR (max)	Accuracy (dB)	Variation (dB)	Power (W max)	Package
IF-AT03/25	DC-3000	3	1.30/1	0.20	0.20	25	AT1
IF-AT06/25	DC-3000	6	1.30/1	0.25	0.25	25	AT1
IF-AT10/25	DC-3000	10	1.30/1	0.50	0.50	25	AT1
IF-AT20/25	DC-3000	20	1.30/1	0.60	0.60	25	AT1
IF-AT30/25	DC-3000	30	1.30/1	0.70	0.70	25	AT1

Specifications at 25°C.

